



FRY DUMP

INSTRUCTION FOR INSTALLATION AND USE
DIE GEBRAUCHS UND INSTALLATIONSANWEISUNG
NOTICE D'INSTALLATION ET D'EMPLOI
INSTRUCTIE VOOR INSTALLATIE EN GEBRUIK
NÁVOD K OBSLUZE A INSTALACI
INSTRUKCJE MONTAŻU I OBSŁUGI
INSTRUCCIONES DE INSTALACION Y USO
UPUTSTVO ZA INSTALACIJU I UPOTREBU
GHID DE INSTALARE SI UTILIZARE



UH 12, UHL 11, IL 1, BMW 1115 + IL 3



www.rmgastro.com





CONTENT

Declaration of a standards conformity	3
Instruction for use	6
Cleaning and maintenance	7

INHALT



Die Normenübereinstimmungsdeklaration	8
Gebrauchsanweisung	11
Die Reinigung und Instandhaltung	12

CONTENU



Déclaration de conformité	13
Mode d'emploi	16
Nettoyage et entretien	17

INHOUD



De verklaring van overeenstemming met de normen	18
Gebruiksaanwijzing	23
Reiniging en onderhoud	24

OBSAH



Prohlášení o souladu s normami	30
Návod k použití	34
Čistění a údržba	35

TREŚĆ



Oświadczenie o zgodności z normami	36
Instrukcja obsługi	39
Czyszczenie i konserwacja	40

CONTENIDO



Declaración de conformidad con las normas	44
Instrucciones de uso	47
Mantenimiento y limpieza	48

SADRŽAJ



Izjava o saglasnosti Sa normama	51
Uputstvo za upotrebu	55
Čišćenje i održavanje	56

CONȚINUT



Declarație de conformitate cu regulile	59
Ghid de utilizare	62
Curățare și mentenanță	63

DECLARATION OF A STANDARDS CONFORMITY

The producer confirms that the devices agree with 2014/30/EU, 2014/35/EU standards, rule nr. 117/2016 sb., 118/2016 sb. and with relevant government orders. Instalation must be done with respect to valid standards. Attention, the producer refuses any responsibility in case of direct or indirect damages which are caused due to wrong instalation, incorrect intervention or modification, insufficient maintenance, incorrect use and also possibly caused by other reasons presented by items in sale conditions. This appliance is set only for skilled use and must be operated by qualified persons only. Parts set and secured by the producer or accredited person must not be rebuilt by user.

TECHNICAL DATA

Label with technical data is placed on the back side of the device. Study the electrical diagram of connection and all following information before instalation.

MODEL	VOLTAGE (V/Hz)	WATTAGE (W)	DIMENSIONS (CM)
UH - 12 IL	230 V / 50 Hz	0,7	27 x 33 x 54
UH - 12	230 V / 50 Hz	0,35	27 x 33 x 24
UH - 11	230 V / 50 Hz	0,35	27 x 33 x 54
IL - 1	230 V / 50 Hz	0,35	25 x 27 x 4
BMV-1115+IL3	230 V / 50 Hz	1,2	33 x 54 x 50

PACKING AND DEVICE CHECK

The device leaves our stocks properly packed with appropriate symbols and labels. There are also appropriate instructions for use. In case the packing shows bad handling or damage, it must be reclaimed at transporter immediately by writing and signing of a damage protocol.

Important notice:

-This product is only intended for use inside.

Never use the appliance if it has a damaged supply cable or plug, if it is not working correctly, has fallen to the ground and been damaged or fallen into water. In such cases take the appliance to a professional service in order to verify that it is safe and works correctly.

- only for professional use
- this instructing guide must be read properly and carefully because it contains important information about safety elements, installation, use
- these recommendations refer to this product
- this product corresponds with valid standards
- this guide must be properly deposited for future use
- keep the children away from manipulation with the product
- when selling or moving the product to another place it is necessary to make yourself sure that the staff or the professional service has got acquainted with control and installation instructions from enclosed guide
- only authorised person can operate the product
- it can not be switched on without supervision
- we recommend to have the product checked by professional service min. once a year
- only original spare parts can be used for repairs
- the product can not be cleaned by the water jet or pressure shower
- by damage or break down disconnect all the feeders (water, gas, electricity) and call professional service
- producer refuses any responsibility in case of damages caused by wrong installation, by disobeying of above mentioned recommendations or by other use etc.

PLACEMENT

The device must be installed in well ventilated room what is necessary for regulation of the function of the device (technician must go by valid standard (EN....). If the device is situated close to the wall or if it is in contact with the furniture walls, these walls must resist the temperatures ranging to 90°C. Installation, setting, putting into operation must be done by qualified person who is competent for this and according to the valid standards.

Wrap up the device and check whether it was not damaged during transport. Settle the device on horizontal surface (max imbalance 2°).Settle the device under the fumehood to eliminate water steam and bad smell. The device can be installed separately or in a set with devices of our production. Min. distance 10 cm from other subjects must be kept.It is also necessary to prevent our product from contact with combustible materials. In this case you must make corresponding changes to secure heat izolation of combustible parts. Safety measures from the standpoint of the fire protection according to EN 061008čl. 21:

TECHNICAL INSTRUCTIONS FOR INSTALATION AND REGULATION

Important:

The manufacturer does not provide warranty for defects caused by improper use, failure to instructions contained in the attached instructions for use and mistreatment of the appliances.

Installation, adjustment and repair of appliances for kitchens, as well as their removal because of possible damage to the gas can be carried out only under a maintenance contract, this contract may be signed with an authorized dealer, and must be complied with regulations and technical standards and regulations regarding the installation, power supply, gas connection and health & safety system.

These instructions are intended for the qualified technician who must perform the installation, put it into operation and test the appliance.

Any activity as settings, placement, rebalancing etc, must be made only when is device disconnected from electricity. If it is necessary to have the device connected to the electricity you must keep the highest attention to avoid any injuries.

DEVICE INSTALATION

Instalation, setting, rebuilding for another gas type, putting into operation must be done by qualifi ed person whois competent for this and according to the valid standards. The device can be installed in good ventilated room. When it is possible place the device under the fumehood to suck off the products of combustion. Air needy to the burning is 2m³/h/kW of the performance of the instaled device. The device can be installed separately or in a set with devices of our production. Min. distance 10 cm from other subjects must be kept.It is also necessary to prevent our product from contact with combustible materials. In this case you must make corresponding changes to secure heat izolation of combustible parts (for example:place between the device and combustible material azbestos plate).

SAFETY MEASURES FROM THE STANDPOINT OF THE FIRE PROTECTION ACCORDING TO EN 061008 ČL. 21

- only adults can operate the device
- device must be safely used in common surroundings according to EN 332000-4-462; EN 332000-4-42. You must switch the gas device off under the circumstances leading: to the danger of the temporary rise of the combustion gas or steam or during works when there is a big possibility of rise of the temporary fire danger or explosion (for example: to stick linoleum, PVC etc.).
- before you start to instal the device you must get the licence for connection to the gas feeder from the gasworks
- device must be placed so as to stand or hang on the noncombustible surface which is on each side 10 cm larger than the device. No subjects from combustible materials can be placed directly on the device or in distance which is shorter than safety distance (the shortest distance is 50 cm in the direction of the heat emission and 10 cm in other directions).- safety distances from various materials of different degree of combustion and information about the degree of comb. of common building materials - see chart:

Chart:

Combustion degree of building materials classified according to the combustion degree of materials and products (EN 730823)

A noncombustible	granit, sandstone, concretes,bricks, ceramic wallfacing tiles, plaster
B uneasily combustible	akumine, heraklite, lihnos, itavere
C1 hardly combustible	leafy wood, plywood, sirkoklit, rare paper formica
C2 middle combustible	fibreboards, solodure, cork boards, rubber,floor-coverings
C3 easily combustible	wood-fibreboards, polystyrene,polyurethane, PVC

Devices must be instalated in a safe way. When instaling you must respect corresponding project, safety and hygienic orders according to:

- EN 061008 fire protection of local devices and sources of heat
- EN 332000 (33 2000-4-482; 33 2000-4-42) surrounding for electric devices ČSN EN 1775 Gas supplying
- Gas fi ttings in the buildings - the highest operational pressure < 5 bar - operation demands
- § 10 law nr. 185/2001 Sb. about waste

CONNECTION OF THE ELECTRIC CABLE TO THE ELECTRICITY

Instalation of electric feeder - This feeder must be separetely protected by a safety fuse according to the specific electric stream which depends on the wattage of the instaled device. Check the wattage on the label at the back of the device. Connect the device directly to the electricity but you must put the switch between the device and electric net. The switch must be placed in min. distance 3 mm between the particular contacts according to the standards and loading. The feeder of grounding (yellow-green) cannot be interrupted by this switch. In every case feeding cable must be placed so that no point of the cable will reach the temperature which is 50°C higher than the temperature of the surrounding. Before connecting the device check that:

- safety fuse of the feeder and inner mains can stand the loading of the device (see label of the matrix)
- mains are equipped with effective grounding according to standards (ČSN) and conditions given by law
- socket or switch of the feed is well accessible from device

We refuse any responsibility in case of not respecting above mentioned rules. Before the first use it is necessary to remove all the protection foil and to clean the device - see chapter „cleaning and maintenance“.

Maintenance: We recommend to have the device checked once a year by the proffesional service. Only qualified or competent persons can do interventions in the product.

INSTRUCTION FOR USE

Attention! Before the first use of the device you must remove protection foil from all surfaces and wash the device with moist cleaning cloth dipped in the water with detergent. Than dry it with cloth.

The purpose of the equipment is to keep French fries at optimal temperature for serving. This system enables you to create a microclimate and thus extend the maintenance of the gustatory characteristics of the French fries on sale.

Instruction for use

BMV-1115 + IL 3

Switch the device on by the main switch (A) - The heating element of the lamp (D) will start warming. The heating of the basin will start warming after having set the temperature by the regulation button (C). The function of heating element of the basin is indicated by the orange led (B). Switch the device off by turning of the switch (A) into the position „0“. The perforated insert (E) must be placed inside the basin for the correct function of device .

Control of the UH-12:

Switch it on by the main switch (B) turn the control (C) from position „0“to the desired position, it ranges 30°C - 90°C. Pilot lamps (C) and (D) will light. Pilot lamp (C) lights when the device is connected with electricity. Pilot lamp (D) lights when the heating spirals are on. Pilot lamp (D) goes out when the device reaches required temperature. Switch the device off by turning the knob (E) into position „0“ and switch over the main switch (B). You put the frits on the perforated plate which prevents the frits from absorbing the oil.

Control of the IL-1:

Switch the lamp on by the switch (E). Operating indicates pilot lamp (A). Lower performance and higher draining the heat off prevents overheating.

DISCHARGING OF THE BATH

Discharge the bath when the device is disconnected from the electricity. User must have convenient bowl for discharging the bath. This bowl must be made from heatresistant material. Put the bowl in the safe place to prevent discharging water from splashing. Splashing can cause the danger. Put on the discharging pipe, open the safety catch by turning it up and turn the lever into position marked as opening of the cock. Discharge the bath only when the water is cold.



CLEANING AND MAINTENANCE

It is recommended to have the device checked by the professional service min. once a year. All interventions must be done by qualified person who is competent for this.

ATTENTION!

The device cannot be cleaned by direct or pressure water. Clean it daily. Daily maintenance keeps longer useful life and efficiency of the device. Before cleaning make sure to have disconnected the device from electricity. Always switch off the main feeder to the device. Stain-less parts wash with moist cleaning cloth and detergent without groove parts than wash it with clean water and dry it by the cloth. Do not use abrasive and corrosive detergents.

WHAT TO DO IN CASE OF BREAK-DOWN

Switch off the electric feeder and call seller's professional service.

INDICATION:

Guarantee does not cover all consumption parts succumable to common wear (rubber seals, bulbs, glas and plastic parts etc.). The guarantee does not refer to the devices which were not instaled in correspondance with instructions - by qualified worker, in confirmity with standards and when somebody handled incompetently the device (interventions into inner equipment) or the device was operated by nonqualified staff or at variance with instructions for use. Guarantee does not also cover the damages caused due to influence of nature or other outer intervention.

DIE NORMENÜBEREINSTIMMUNGSDEKLARATION

Der Produzent erklärt, daß die Geräte in einer Übereinstimmung mit den Vorschriften der 2014/35/EU, 2014/30/EU dem Gesetz Nr. 118/2016 sb., 117/2016 sb. der Sammlung und zugehörigen Regierungsverordnungen stehen. Die Installation muss mit der Absicht auf geltende Normen durchgeführt werden. Vorsicht, im Falle einer direkten oder indirekten Beschädigung, die sich auf falsche Installation, unrichtigen Eingriff oder Anpassungen, ungenügende Instandhaltung, unrichtige Verwendung beziehen, und welche eventuell durch andere Ursachen, als in Punkten der Verkaufsbedingungen angeführt ist, so verzichtet der Importeur auf jegliche Verantwortung. Dieses Gerät ist nur für fachliche Verwendung bestimmt und muß durch qualifizierte Person bedient werden. Teile, die nach der Einstellung durch den Hersteller oder durch befugte Person gesichert wurden, dürfen vom Benutzer keineswegs umgestellt werden.

DIE TECHNISCHEN DATEN

Das Schild mit technischen Angaben ist auf der Rückseite des Gerätes angebracht. Studieren sie vor der Installation das elektrische Schema der Einschließung und alle folgende Informationen durch.

MODEL	SPANNUNG (V/Hz)	ANSCHLUSSWERT (KW)	ABMESSUNGEN (MM)
UH - 12 IL	230 V / 50 Hz	0,7	27 x 33 x 54
UH - 12	230 V / 50 Hz	0,35	27 x 33 x 24
UH - 11	230 V / 50 Hz	0,35	27 x 33 x 54
IL - 1	230 V / 50 Hz	0,35	25 x 27 x 4
BMV-1115+IL3	230 V / 50 Hz	1,2	33 x 54 x 50

DIE VERPACKUNGS-, UND VORRICHTUNGSKONTROLLE

Die Vorrichtung verlässt unsere Lager in ordentlicher Verpackung, auf deren die entsprechenden Symbole und Bezeichnungen stehen. In der Verpackung befindet sich entsprechende Bedienungsanweisung. Falls die Verpackung eine schlechte Behandlung oder Anzeichen der Beschädigungen vorweist, muß dieses sofort beim Transporteur reklamiert werden und zwar durch Unterzeichnung eines Schadensprotokolles.

Wichtige Hinweise

-Das Erzeugnis ist nur zur Verwendung im Innenraum bestimmt.

Verwenden Sie den Verbraucher nie, wenn die Speisezuleitung oder der Stecker beschädigt sind, das Gerät nicht richtig arbeitet, ist auf den Boden gefallen und hat sich beschädigt oder ist ins Wasser gefallen. Bringen Sie in solchen Fällen den Verbraucher zu einem Fach-Kundendienst zur Überprüfung seiner Sicherheit und richtiger Funktion.

- Nur für professionellen Verbrauch geeignet
- Diese Bedienungsanleitung muss ordentlich und bedächtig gelesen werden, weil sie wichtige Informationen über Sicherheitsmerkmale, Installation und Anwendung beinhaltet
- Diese Empfehlungen beziehen auf diesen Produkt
- Der Produkt entspricht geltenden Normen
- Diese Anleitung muß ordentlich für die zukünftige Verwendung hinterlegt werden
- Hindern Sie den Kinder an Vorrichtungsm Manipulation
- Beim Verkauf oder Verlegung ist es notwendig sich zu überzeugen, daß die Bedienstperson oder Fachservis sich mit der Beherrschung und Installationsanweisung in beiliegender Anleitung, anvertraut gemacht haben.
- Das Produkt darf nur eingeschulte Bedienung bedienen
- Das Produkt darf nicht ohne Aufsicht ins Betrieb gesetzt sein
- Es ist empfohlen, minimal einmal pro Jahr eine Fachkontrolle durchführen zu lassen
- Bei eventueller Reparatur der Teilenumtauschungen müssen ausschließlich Originalteile angewendet werden
- Das Produkt darf nicht durch einen Wasserstrahl oder Druckbrause gereinigt werden
- Schalten Sie alle Leitungen (Wasser, Elektrizität, Gas) bei einer Störung oder beim schlechten Lauf aus und rufen Sie autorisierten Service an
- Der Hersteller verzichtet auf jegliche Verantwortung bei Störungen, die durch fehlerhafte Installation, Nichteinhaltung o.a. Empfehlungen, andere Verwendung u.ä, verursacht wurden

DIE PLATZIERUNG

Es ist unbedingt notwendig, zu der Regulation der Gerätetätigkeit, daß das Milieu - der Küche -, wo das Gerät installiert wird, sehr gut belüftbar ist (im Hinblick darauf: sei der Techniker sich mit geltenden Normen (EN) richtet). Wenn die Einrichtung so platziert wird, daß sie im Mobiliarwandkontakt stehen wird, so müssen diese einer Temperatur von 90°C widerstehen. Die Installation, Herrichtung, Inbetriebnahme müssen durch qualifizierte Person, die zu solchen Vorkehrungen eine Befugnis hat und dies laut geltenden Normen nach, durchgeführt werden.

Packen Sie das Gerät aus und kontrollieren Sie, ob sich das Gerät während des Transportes nicht beschädigt hat. Platzieren Sie das Gerät auf eine waagrechte Fläche (maximale Unebenheit bis 2°). Stellen Sie das Gerät unter den Haubenabzug, damit Sie die Wasserdämpfe und den Geruch eliminieren. Das Gerät kann selbständig oder in einer Reihe mit Geräten unserer Herrstellung installiert werden. Es ist notwendig die minimale Entfernung von 10 cm zu anderen Gegenständen einzuhalten, so dass die Wärmeisolierung der brennbaren Teilen gewährleistet wird.

Das Gerät kann selbständig oder in einer Reihe mit Geräten unserer Herrstellung installiert werden. Es ist notwendig die minimale Entfernung von 10 cm zu anderen Gegenständen einzuhalten, so dass die Wärmeisolierung der brennbaren Teilen gewährleistet wird.

TECHNISCHE HINWEISE ZUR INSTALLATION UND REGELUNG

Wichtig:

Zur Benützung AUSSCHLIEßLICH nur für spezialisierte Techniker
Instruktionen, die folgen, wenden sich an den Techniker, der für die Installation qualifiziert ist, damit er alle Operationen mit der korrektesten Weise und laut der gültigen Normen durchführt.

Wichtig

Jeweils irgendeine Tätigkeit, die mit der Regulation verbunden ist u.ä, muß nur mit der aus dem Netz ausgezogenen und abgeschalteten Einrichtung vollgezogen sein.
Solange das Gerät unter der Spannung notwendig zu halten ist, eine höchste Vorsicht zu beachten vorliegt.

DIE SICHERHEITSVORRICHTUNGEN AUS DER SICHT DES FEUERSCHUTZES LAUT EN. 061008 ČL. 21

Die Einrichtungsbedienung dürfen nur Erwachsene ausführen

- Das Gerät darf sicher in gewöhnlicher Umgebung laut EN 332000-4-482; EN 332000-4-42 verwendet werden.
- Es ist notwendig das Gerät so platzieren, daß es auf einer unbrennbaren Grundlage steht oder hängt.
- Es dürfen, auf und in eine Entfernung, die kleineremase als sicher vom Gerät bezeichnet wird, keine Gegenstände aus brennbaren Materilien (die kleinste Entfernung vom Brennbarem ist 10 cm) aufgestellt werden.
- Die sicheren Entfernungen von Massen der einzelnen Brenngra

Tabelle:

Baumassefeuerbrenngrad ins Brenngrad (EN) der Massen und Produkte eingegliedert

A	Unbrennbar	Granit, Sandstein, beton, Ziegel, Keramikbekleidung, Putz
B	nicht einfach brennbar	Akumin, Heraklit, Lihnos, Itaver
C1	schwer brennbar	Holz, Laubbaum, Furnier Sirkoklit, Festpapier, Umakart
C2	mittel brennbar	Holzspanplatten, Solodur, Korkplatten, Hartgummi, Bodenbeläge
C3	leicht brennbar	Holzfaserplatten, Polystyren, Polyureten, PVC

Die Bedarfsartikel müssen sicher installiert werden und sind mit regulierenbaren Beinchen - zur Ausgleichen der Höhe und der Unebenheiten eingestattet.

Die Geräte müssen in einer sicheren Weise installiert werden. Bei der Installation müssen weiter betreffende Projekt-, Sicherheits-, und Hygienevorschriften respektiert werden.

- EN 06 1008 Feuerschutz der örtlichen Geräte und der Wärmquellen
 - EN 33 2000 (33 2000-4-482; 33 2000-4-42) Umgebung für elektrische Geräte
- Gasversorgung -Gasleitunge in Gebäuden - Höchste Verkehrsdruck ≤ 5 BarVerkehrsansprüche,
- § 10 des Gesetzes Nr.185/2001 Sb., der Abfälle betrifft.

DER ELEKTRISCHE KABELNETZANSCHLUSS

Die Installation der elektrischen Ankupplung - Diese Zuleitung muß selbstständig gesichert werden. Und das durch entsprechende Sicherung des Nennstromes in der Abhängigkeit am Anschlußwert des installierten Gerätes. Kontrollieren sie den Anschlußwert des Apparates auf dem Produktionsschild im Hinterteil des Gerätes. Schließen Sie das Gerät direkt ans Netz an.

Es ist unbedingt notwendig zwischen das Gerät und das Netz einen Schalter zu legen, der eine minimale Entfernung von 3mm unter den Einzelkontakten aufweist und der auch den geltenden Normen und Belastungen entspricht. Die Erdungszuleitung (gelbgrün) darf nicht durch diesen Schalter unterbrochen sein.

Der Zuleitungskabel muß in jedem Fall so angebracht sein, dass er in keinem Punkt einer um 50°C höherer Temperatur als Umgebungstemperatur nicht erreicht. Eher das Gerät ans Netz angeschlossen wird, versichern Sie sich, dass:

- die Zuleitungssicherung und die Innenscheidung die Einrichtungsbelastung ertragen (siehe Matriceschild),
- die Verteilung mit wirksamer Erdung laut Normen (EN) und Gesetzbedingungen ausgestattet ist

WIR VERZICHTEN AUF JEGLICHE VERANTWORTUNG IM FALLE, DASS DIESE NORMEN NICHT RESPEKTIERT WERDEN UND IM FALLE DER NICHEINHALTUNG DER OBENERWÄHNTER GRUNDSÄTZE.

Es ist notwendig die Schutzfolie vor der ersten Benützung zu beseitigen, sowie das Gerät zu reinigen siehe das Kapitel „Reinigung und Instandhaltung“.

GEBRAUCHSANWEISUNG

Vorsicht!

Bevor Sie das Gerät verwenden werden, ist es notwendig ihn gut mit feuchtem Scheuerlappen abzuwaschen. Lassen Sie nie das Gerät ohne Aufsicht im Betrieb.

Bevor das Gerät ins Betrieb gesetzt wird, ist es nötig, ihn gut mit Wasser mit Geschirrwaschmittel abzuwaschen und dann gut mit reinem Wasser abzuspülen.

Das Gerät dient zur Einhaltung der optimalen Temperatur der Pommes-frites bei der Speisenausgabe. Diese Einrichtung bildet das Kleinklima, das den Pommes-frites Geschmack für die Speisenausgabe verlängert.

Steuerung UH-30EL

Das Gerät schalten Sie mit dem Hauptschalter (A) ein. Wenn bei dem Gerät nur der Hauptschalter eingeschaltet ist, wird nur der Heizkörper der Lampe (D) heizen. Wenn auch der Regulationsknopf (C) für die Temperatur eingeschaltet ist, wird auch der Heizkörper der Wanne heizen. Die orangefarbige Kontrolllampe signalisiert, dass der Heizkörper der Wanne ins Betrieb gesetzt wurde.

Das Gerät wird mit der Hauptschalter (A), der auf die Position „0“ eingestellt wird, ausgeschaltet. Um die richtige Funktion des Gerätes zu gewährleisten, ist es nötig, das Gerät mit dem perforierten Einsatz auszustatten.

UH-12

Schalten Sie den Hauptschalter (B) ein, drehen Sie den Regler (C) aus der Position „0“ in den von Ihnen geforderten Wert im Bereich von 30°C - 90°C. Die Kontrolllampen (D1) und (D2) werden leuchten. Die Kontrolllampe (D1) leuchtet, wenn das Gerät elektrisch angeknüpft ist. Die Kontrolleuchte (D) leuchtet, wenn die Wärmespiralen in Betrieb sind. Die Kontrolllampe (D2) löscht, wenn das Gerät die eingestellte Temperatur erreicht hat. Da Gerät wird ausgeschaltet, wenn man den Regler (C) in die Position „0“ versetzt und den Hauptschalter (B) ausschaltet.

IL-1

Schalten Sie den Hauptschalter (E) ein, Die Kontrolllampe (A) wird leuchten., wenn das Gerät elektrisch angeknüpft ist. Das Gerät wird ausgeschaltet, wenn man den Hauptschalter (E) in der Lage „0“ umschaltet .



INSTANDSHALTUNG

Es ist empfohlen mindestens einmal pro Jahr das Gerät durch einen fachlichen Servicedienst warten zu lassen. Alle Eingriffe in das Gerät darf nur eine qualifizierte Person durchführen, die zu solchen Handlungen eine Befugnis besitzt.

!!! Nach jedem Reinigungsaustrüstung nötig ist, die Oberfläche der Arbeitsplatte mit Pflanzenö!!!

Bemerkunge und Empfehlunge

Benützen Sie das Gerär nur unter ständigen Aufsicht.

DIE REINIGUNG UND INSTANDSHALTUNG

ACHTUNG! Die Einrichtung darf nicht mit Direkt-, oder Druckwasserstrahl gereinigt werden. Reinigen Sie das Gerät täglich. Die Lebensdauer und Gerätewirkung wird durch die tägliche Wartung gewährleistet. Überzeugen Sie sich, vorm Reinigungsanfang, dass Sie die Einrichtung vom Elektrostrom abgeschaltet haben. Schalten Sie immer die Gerätehauptzufuhr ab. Waschen Sie die Edeltahteile mit feuchtem Waschlappen, der im Waschpulver getauft ist und keine grobe Teilchen aufweist. Wischen Sie alles ins Trockene ab. Verwenden Sie keine abrasive- oder korrosionsreiche Reinigungsmitteln. Alle Speisenreste müssen von der Arbeitsplatte beiseitigt werden. Sie könnem eine Spachtel benützen. Nach jeder Gerätereinigung müssen Sie die Grillplatten mit Pflanzenöl aufreiben.

WIE MAN IM FALLE EINER STÖRUNG VORANGEHEN SOLL

Schalten sie die elektrische Stromleitung ab und rufen die Serviceorganisation des Verkäufers an.

DÉCLARATION DE CONFORMITÉ

Le fabricant certifie la conformité des appareils aux normes 2014/30/EU, 2014/35/EU à la loi n° 117/2016 sb., 17/2003 sb. et aux décrets applicables. L'installation doit être effectuée dans le respect des normes en vigueur. Attention: le fabricant décline toute responsabilité en cas de dommages, directs ou indirects, causés par une mauvaise installation, par une utilisation, des interventions ou des modifications impropres, par un entretien insuffisant, ainsi qu'en cas de dommages dérivant des causes mentionnées dans les conditions de vente. L'appareil objet de la présente notice est prévu pour un usage professionnel, aussi son utilisation doit-elle être confiée à un personnel possédant les compétences nécessaires à cet effet. L'utilisateur ne doit procéder à aucune intervention ni à aucune modification sur les parties réglées et protégées par le fabricant ou autre personnel autorisé à cet effet.

CARACTÉRISTIQUES TECHNIQUES

L'étiquette sur laquelle figurent les caractéristiques techniques est apposée sur la partie postérieure de l'appareil. Avant de procéder à l'installation, prendre connaissance du schéma électrique et de toutes les informations que contient la présente notice.

MODEL	TENSION (V/Hz)	PUISSANCE (kW)	DIMENSIONS (MM)
UH - 12 IL	230 V / 50 Hz	0,7	27 x 33 x 54
UH - 12	230 V / 50 Hz	0,35	27 x 33 x 24
UH - 11	230 V / 50 Hz	0,35	27 x 33 x 54
IL - 1	230 V / 50 Hz	0,35	25 x 27 x 4
BMV-1115+IL3	230 V / 50 Hz	1,2	33 x 54 x 50

CONTROLE DE L'EMBALLAGE ET DE L'APPAREIL

En vue de son transport, l'appareil quitte les établissements du fabricant parfaitement emballé (sur l'emballage sont apposés les étiquettes et les symboles nécessaires à cet effet). L'emballage contient également la notice des instructions d'utilisation. Dans le cas où l'emballage présenterait des dommages ainsi que dans le cas où il s'avérerait qu'il a été manipulé sans les précautions nécessaires, il est impératif d'adresser sans attendre une déclaration au transporteur en y joignant une acceptation de la marchandise sous réserve.

Recommandation importante:

-Le produit est destiné uniquement à un usage intérieur.

N'utilisez jamais cet appareil si le cordon ou la fiche sont endommagés, si l'appareil fait défaut, s'il a été échappé ou endommagé ou immergé. Dans ce cas, retournez cet appareil au centre service autorisé pour examen.

- Pour usage professionnel seulement
- La présente notice des instructions d'utilisation et d'entretien contient d'importantes informations relatives à la sécurité, à l'installation et à l'utilisation; il est nécessaire d'en effectuer attentivement la lecture.
- Les recommandations se réfèrent à l'appareil objet de la présent notice.
- L'appareil est conforme aux normes en vigueur.
- Veiller à bien conserver la notice de telle sorte qu'elle puisse être consultée à tout moment en cas de besoin.
- Ne pas laisser des enfants s'approcher de l'appareil durant son utilisation.
- Pendant la vente ou après le déménagement de l'appareil vérifier que le personnel lise attentivement la présente notice d'utilisation
- L'appareil ne peut être utilisé que par le personnel instruit
- L'appareil ne peut être laissé en marche sans surveillance
- Il est recommandé de faire l'appareil contrôler au moins une fois par an dans un service spécialisé
- Ne pas utiliser que des pièces détachées originelles.
- En cas de défaut ou de mauvaise fonction, débrancher l'appareil (eau, gaz, électricité) et appeler un service spécialisé
- Le fabricant décline toute responsabilité en cas de dommages, directs ou indirects, causés par une mauvaise installation, utilisation, etc

LA LOCATION

Le local dans lequel l'appareil est installé doit être bien ventilé. Si l'appareil doit toucher le parois, celui-ci doit résister à la chaleur de 90°C au minimum. L'installation, le réglage et la mise en marche doivent être effectués par une personne qualifiée ayant une autorisation nécessaire selon les normes en vigueur.

Déballer l'appareil et vérifiez s'il n'était pas endommagé pendant le transport. Placez l'appareil sur une surface horizontale (pente maximale de 2°). Placez l'appareil sous une hotte pour éliminer la vapeur et mauvaise odeur.

L'appareil peut être installé seul ou en série avec d'autres appareils de notre fabrication. Il faut respecter la distance minimale de 10 cm entre l'appareil et d'autres objets ainsi qu'éviter le contact avec les matériaux inflammables. Dans ce cas il faut prévoir les arrangements nécessaires pour assurer la protection des parties inflammables.

INSTRUCTIONS TECHNIQUES POUR INSTALLATION ET REGLEMENT

Important:

Le fabricant ne fournit pas de garantie pour les défauts causés par l'usage, tout manquement impropre aux instructions contenues dans les instructions ci-jointes pour l'utilisation et aux mauvais traitements des appareils.

Installation, réglage et réparation d'appareils pour les cuisines, ainsi que leur élimination en raison de dommages possibles au gaz peut être effectuée qu'en vertu d'un contrat de maintenance, ce contrat peut être signé avec un distributeur agréé, et doivent être conformes à la réglementation technique et normes et réglementations concernant l'installation, l'alimentation, de raccordement de gaz et de la santé et la sécurité du système.

Ces instructions sont destinées au technicien qualifié qui doit effectuer l'installation, le mettre en marche et tester l'appareil.

Toute activité en tant que paramètres, le placement, le rééquilibrage etc, doit être faite que lorsqu'il est périphérique déconnecté de l'électricité. Si il est nécessaire d'avoir le périphérique connecté à l'électricité, vous devez garder la plus grande attention afin d'éviter toute blessure.

MÉSURES DE SÉCURITÉ POUR LA PROTECTION CONTRE INCENDIE SELON EN 06 1008 ARTICLE 21:

- l'appareil ne peut être utilisé que par des personnes majeures
- l'appareil peut être utilisé dans un espace ordinaire selon EN 332000-4-482; 332000-4-42
- l'appareil doit être placé ou suspendu d'une manière stable sur une surface ininflammable

Il est interdit de placer sur l'appareil ou dans la distance inférieure à 10 cm de l'appareil des objets inflammables.

- les distances de sécurité pour les matériaux inflammables selon leurs degré d'inflammabilité et les informations sur l'inflammabilité des matériaux de construction – voir le tableau

Tableau:

degré d'inflammabilité d'un matériel de construction (EN 730823)

A ininflammables	granit, grès, béton, briques, carrelage céramique, enduit
B difficilement inflammables	acumin, héraclite, lihnos, itaver
C1 mal inflammables	bois des arbres feuillus, contre-plaqué, papier durci, umakart
C2 inflammabilité moyenne	aggloméré, solodur, liège, caoutchouc, revêtements
C3 inflammabilité facile	planches de fibre de bois, polystyrène, polyurethane, PVC

L'appareil doit être installé d'une manière sûre. Pour l'ajustage de l'appareil est ce-ci procuré des pieds réglables.

- EN 06 1008 protection contre incendie des consommateurs d'énergie locaux et des émetteurs de chaleur
- EN 33 2000 (33 2000-4-482; 33 2000-4-42) le milieu pour les appareil électriques

BRANCHEMENT ÉLECTRIQUE

Installation de prise de courant – La prise de courant doit avoir un coupe-circuit indépendant en dépendance de puissance fournie de l'appareil. Vérifiez la puissance de l'appareil sur la plaque des caractéristiques techniques.

Branchez l'appareil directement au réseau, il faut mettre un interrupteur entre le réseau et l'appareil, son ouverture de contacts étant 3 mm au minimum. Câble de terre (vert-jaune) ne peut pas être interrompu par cet interrupteur. En tout cas, le câble de prise de courant doit être placé de telle manière que sa température ne dépasse jamais la température du milieu de plus que 50°C. Avant le branchement au réseau, s'assurer que :

- le coupe-circuit et distribution intérieure peuvent endurer la charge de l'appareil (voir la plaque)
- la mise à la terre fonctionne selon les normes en vigueur (EN) et selon la loi
- la prise ou l'interrupteur de circuit sont faciles d'accès

Le fabricant rénonce à toute responsabilité en cas que les normes ne seront pas respectés ainsi qu'en cas de dérogation des règles mentionnés ci-haut.

Avant la première utilisation, il faut retirer le film de protection et nettoyer l'appareil – voir chapitre « nettoyage et entretien ».

Entretien:

Il est recommandé de faire contrôler l'appareil dans un service spécialisé au moins une fois par an. Toutes les interventions peuvent être effectuées seulement par une personne qualifiée ayant une autorisation pour ces interventions.



-N'introduisez pas la fiche du cordon dans la prise de courant et ne débranchez pas l'appareil de la prise électrique si vos mains sont mouillées ou en tirant sur le cordon électrique !

MODE D'EMPLOI

Attention !

Avant la première utilisation, il faut laver l'appareil à l'aide d'un torchon humide et d'un détergent. Rincer et sécher.

L'équipement est destiné à maintenir les pommes frites à une température optimale pour leur distribution. Ce système assure la création d'un microclimat et la prolongation des qualités de goût des pommes frites au moment de leur distribution.

Commande UH 30 EL.

Allumez l'appareil par un interrupteur principal (A). – En ce moment la résistance de lampe chauffe. A l'aide de la commande (C) choisissez la température désirée... la résistance de bac commence à chauffer. Le témoin orange (B) est allumé lorsque la résistance de bac fonctionne. L'appareil éteignez à l'aide du interrupteur principal (A) – position „0“.

Pour bon fonctionnement de l'équipement est nécessaire d'avoir la partie inox perforée dans le bac (E), qui fait partie du produit.

Réglage de UH – 12

Allumer à l'aide de l'interrupteur principal (B), tourner le dispositif de commande (C) de la position « 0 » jusqu'à la position marquant la température désirée (entre 30°C et 90°C). Les témoins lumineux (C) et (D) sont allumés. Le témoin lumineux (C) brille quand l'appareil est sous le courant. Le témoin lumineux (D) brille quand les résistances de chauffage travaillent. Le témoin lumineux (D) s'éteint quand l'appareil atteint la température désirée. Pour éteindre l'appareil – tourner le dispositif de commande (E) jusqu'à la position marquée « 0 » et appuyer sur l'interrupteur principal (B). Verser les frites sur la plaque à trous afin d'éviter leur impregnation par l'huile de friture.

Réglage de IL – 1

Allumer la lampe à l'aide de l'interrupteur (E), l'appareil est en marche. La marche de l'appareil est indiquée par le témoin lumineux (A). La puissance basse et une grande répartition de la chaleur garantissent que la température ne dépasse pas la température optimale.

Vidange du bac:

Vider le bac uniquement quand l'appareil est débranché. Se procurer d'un récipient approprié à recueillir l'eau. Ce récipient doit être en matériel résistant à la chaleur et doit être placé de telle manière que l'eau n'aspersionne pas le voisinage. Mettre le tuyau de vidange, lever la sécurité de vidange vers haut et bouger le levier vers le point marqué de signe du robinet ouvert. Vider uniquement quand l'eau est froide.



NETTOYAGE ET ENTRETIEN

ATTENTION! Le nettoyage au jet d'eau ou sous pression n'est pas autorisé.

Nettoyer l'appareillage tous les jours. Le nettoyage quotidien prolonge la durée de service et l'efficacité d'appareillage. Avant d'effectuer toute maintenance, il faut débrancher l'appareil du réseau électrique. Les parties en inox doivent être nettoyées avec un chiffon humide, à l'aide d'un détergent liquide, non abrasif et ensuite être bien essuyées. Pour éliminer les reliefs du plan de travail, il est possible d'utiliser une spatule.

Comment procéder en cas d'une panne

Débrancher la prise du cordon secteur et contacter le service après-vente du revendeur.

MAINTENANCE

Il est conseillé de faire contrôler l'appareil au moins une fois par an par un service spécialisé. Tous les interventions dans l'appareil peuvent être effectuées uniquement par une personne qualifiée, possédant l'autorisation à telles opérations.

!!! AFIN D'ÉVITER LA FORMATION DE ROUILLE, IL FAUT TRAITER LA SURFACE AVEC UNE HUILE VÉGÉTALE APRÈS CHAQUE NETTOYAGE !!!!!

DE VERKLARING VAN OVEREENSTEMMING MET DE NORMEN

De fabrikant verklaart dat de apparaten voldoen aan de basiseisen van de richtlijn 2014/30/EU (verordening van de regering nr. 117/2016 Coll.) en de eisen van de richtlijn 2014/35/EU (verordening van de regering nr. 118/2016 Coll.).

Houd er rekening mee dat de fabrikant elke aansprakelijkheid afwijst in geval van directe of indirecte schade, die betrekking heeft op verkeerde installatie, niet correcte ingreep of aanpassingen, onvoldoende onderhoud en onjuist gebruik en die eventueel veroorzaakt zijn door andere oorzaken die gespecificeerd zijn in de afzonderlijke punten van de verkoopsvoorwaarden. Dit apparaat is uitsluitend bedoeld voor professioneel gebruik en moet worden bediend door gekwalificeerd personeel. Onderdelen die na afstelling door de fabrikant of een geautoriseerd persoon zijn beveiligd, mogen door de gebruiker niet gewijzigd worden.

Technische gegevens

Het typeplaatje met technische gegevens bevindt zich aan de zijkant of op de achterkant van het apparaat. Bestudeer het elektrische schema van het apparaat en alle onderstaande informatie, voordat u overgaat tot installatie van het apparaat.

PRODUCTTYPE	AFMETINGEN (V/HZ)	SPANNING (W)	AANSLUITVERMOGEN (CM)
UH - 12 IL	230 V / 50 Hz	0,7	27 x 33 x 54
UH - 12	230 V / 50 Hz	0,35	27 x 33 x 24
UH - 11	230 V / 50 Hz	0,35	27 x 33 x 54
IL - 1	230 V / 50 Hz	0,35	25 x 27 x 4
BMV-1115+IL3	230 V / 50 Hz	1,2	33 x 54 x 50

Controle van de verpakking en het apparaat

Het apparaat verlaat ons magazijn in een verpakking die voldoet aan alle voorschriften en waarop zich de vereiste symbolen en markeringen bevinden. In de verpakking bevindt zich de overeenkomstige gebruiksaanwijzing. Indien de verpakking beschadigd is of wijst op onjuist transport, dient u dit onmiddellijk te reclameren bij de transporteur door middel van ondertekening van een schadeprotocol. Latere indiening van klachten wordt niet in aanmerking genomen.

Belangrijke aanwijzingen

Lees deze gebruiksaanwijzing aandachtig en nauwkeurig door, omdat zij belangrijke informatie bevat over veiligheidsvoorzieningen, installatie en gebruik van het apparaat.

- Het product is alleen bedoeld om binnenshuis te worden gebruikt.
- Gebruik het apparaat nooit als de stroomtoevoer of stekker beschadigd is, als het niet juist werkt, het op de grond is gevallen en beschadigd of in het water is gevallen. Breng in dergelijke gevallen het apparaat naar een gespecialiseerde service om te controleren of het apparaat veilig is en correct werkt.
- Deze aanbevelingen zijn van toepassing op dit product of productlijn.
- Deze handleiding moet zorgvuldig bewaard worden voor toekomstig gebruik.
- Zorg ervoor dat kinderen het apparaat niet kunnen bedienen.
- Wanneer u hebt apparaat verkocht of verplaatst, zorg er dan voor dat de persoon die het apparaat bedient of er de service van doet, bekend is met het gebruik en de installatie-instructies in de bijgevoegde handleiding.
- Het product mag uitsluitend worden bediend door een persoon die bekend is met deze gebruiksaanwijzingen.
- Het ingeschakelde apparaat niet zonder toezicht laten werken.
- Wij bevelen aan om het apparaat minimaal 2x per jaar een gespecialiseerde controle en onderhoudsbeurt te geven.
- Gebruik uitsluitend originele onderdelen bij eventuele reparatie of vervanging van onderdelen.
- Het apparaat mag niet schoongemaakt worden met een waterstraal of een hogedrukreiniger.
- Bij storingen of wanneer het apparaat niet goed werkt alle leidingen (water, stroom, gas) afsluiten en contact opnemen met de geautoriseerde service.
- De producent is niet aansprakelijk voor storingen die zijn veroorzaakt door incorrecte installatie, het niet in acht nemen van bovengenoemde aanbevelingen, gebruik dat niet in overeenstemming is met de bestemming van het apparaat enz.
- Het apparaat mag alleen worden gebruikt voor het doel waarvoor het is bedoeld. Elk ander gebruik is verboden en kan leiden tot gevaar of letsel
- Er moet worden gezorgd voor de strengste naleving van de brandbeveiligingsregels
- Tijdens en kort na het bedrijf zijn sommige delen van het apparaat heet
- Het is verboden om tijdens de werking andere delen van het apparaat aan te raken dan de hiervoor bedoelde bedieningselementen

Plaatsing

De volgende richtlijnen in overeenstemming met de normen TPG G 704 01, ČSN 127040 en ČSN 127010 moeten in acht worden genomen voor de juiste werking en opstelling van het apparaat.

Pak het apparaat uit een controleer of het tijdens het transport niet is beschadigd. Plaats het apparaat op een horizontale oppervlakte (de maximale oneffenheid mag maximaal 2° bedragen). Kleine oneffenheden kunnen worden opgevangen met de stelvoeten.

Als het apparaat zodanig geplaatst is dat het in contact komt met de wanden van het meubilair, dan moeten deze bestand zijn tegen temperatuur tot 60 °C. Installatie, afstelling en inbedrijfstelling moet door een gekwalificeerd persoon uitgevoerd worden die bevoegd is voor deze handelingen in overeenstemming met de toepasselijke normen.

Het apparaat kan afzonderlijk worden geïnstalleerd of in serie met door ons geproduceerde apparaten. Er moet een minimale afstand van 10 cm tot brandbare materialen aangehouden worden. In dit geval is het ook noodzakelijk de nodige aanpassingen uit te voeren om de warmte-isolatie van de brandbare onderdelen te waarborgen.

Het apparaat mag alleen worden geïnstalleerd op een onbrandbare ondergrond of tegen een onbrandbare wand.

De kleinste vereiste luchtstroming vanuit de buitenruimte voor de apparaten van versie A ligt in het bereik van 5-20 m³/h, afhankelijk van het type apparaat. Het hangt af van de installatievoorschriften van het land van bestemming.

De door de fabrikant of zijn vertegenwoordiger beveiligde onderdelen van het apparaat mag de persoon die de installatie van het product doet, niet wijzigen.

Installatie

Belangrijk:

De fabrikant verleent geen garantie voor storingen die zijn ontstaan als gevolg van oneigenlijk gebruik, het niet in acht nemen van de instructies in bijgevoegde gebruikershandleiding en verkeerde hantering van het apparaat.

Installatie-, aanpassings- en reparatiewerkzaamheden op het apparaat voor grote keukens, evenals hun demontage als gevolg van mogelijke schade aan de gastoevoer, kunnen alleen worden uitgevoerd op basis van een onderhoudscontract. Dit contract kan met een geautoriseerde verkoper afgesloten worden, met inachtneming van de technische voorschriften en normen en voorschriften betreffende installatie, elektrische toevoerleidingen, gasaansluiting en arbeidsveiligheid.

Technische instructies voor installatie en afstelling zijn **UITSLUITEND** bestemd om door gespecialiseerde technici te worden gebruikt.

De volgende instructies zijn bestemd voor een technicus die de juiste kwalificaties bezit voor de installatie, om te verzekeren dat hij alle handelingen op de juiste manier en in overeenstemming met de geldende normen kan uitvoeren.

Iedere handeling die te maken heeft met onder andere regulatie, moet worden uitgevoerd terwijl het apparaat is losgekoppeld van de stroomvoorziening. Indien het apparaat toch onder spanning moet staan, dient u de grootst mogelijke voorzichtigheid in acht te nemen.

Het type apparaat voor de uitvoering van afzuiging staat vermeld op het typeplaatje, dit zijn de apparaten van het type A1.

Veiligheidsvoorzieningen in verband met brandpreventie conform ČSN 061008 art. 21

- het apparaat mag uitsluitend door volwassenen bediend worden
- het apparaat kan veilig gebruikt worden in overeenstemming van de volgende normen:
ČSN 33 2000-4-482: Brandbeveiliging in gebieden met een speciaal risico of gevaar
ČSN 33 2000-4-42: Bescherming tegen invloeden van warmte

- het apparaat moet zo worden geplaatst dat het stevig staat of hangt op een vuurbestendige ondergrond
Op of naast het apparaat mogen zich geen brandbare voorwerpen bevinden binnen de veilige afstand die voor het apparaat is vastgesteld (de kleinste afstand tot brandbare materialen bedraagt 10 cm).

Tabel: De mate van brandbaarheid van bouwmaterialen (ČSN 730823) weergegeven per substantie en product

Mate van brandbaarheid	Bouwmaterialen
A – niet brandbaar	Graniet, zandsteen, beton, baksteen, keramische bekleding, pleisterwerk
B – heel moeilijk brandbaar	Acuminiet, heracliet, lihnos, itaver
C1 – moeilijk brandbaar	Hout, loofhout, fineer, sirkoklit, verstevigd papier, umakart
C2 – gemiddeld brandbaar	Spaanplaat, solodur, kurkplaat, harde rubber, vloerbedekking
C3 – zeer brandbaar	Vezelplaat, polystyreen, polyurethaan, PVC

- Informatie over mate van brandbaarheid van gewone bouwmaterialen staan in de tabel hieronder. Installeer het apparaat op veilige wijze. Neem bij de installatie de voorschriften voor ontwerp, veiligheid en arbeidshygiëne in acht overeenkomstig:
 - ČSN 06 1008 brandveiligheid van lokale apparaten en warmtebronnen
 - ČSN 33 2000-4-482 brandbeveiliging in gebieden met een speciaal risico of gevaar
 - ČSN 33 2000-4-42 bescherming tegen invloeden van warmte

Aansluiting van de elektrische kabel op het elektriciteitsnet

De aansluiting op het elektriciteitsnet - de voedingskabel moet zelfstandig beveiligd worden. Namelijk door de toepassing van een zekering voor nominale stroom, afhankelijk van het aansluitvermogen van het geïnstalleerde apparaat. Controleer het aansluitvermogen van het apparaat op het typeplaatje dat zich op het achterpaneel (of zijkant) van het apparaat bevindt.

De aangesloten aardkabel moet langer zijn dan de andere kabels. Sluit het apparaat direct op het elektriciteitsnet aan. Het is absoluut noodzakelijk om tussen het apparaat en het elektriciteitsnet een schakelaar te monteren die minimaal 3 mm van het enkelvoudige contact is verwijderd en die voldoet aan de geldende normen en belastingen. De aardkabel (geelgroen) mag niet door deze schakelaar worden onderbroken. Als het apparaat bedoeld is voor aansluiting in het stopcontact, sluit dit aan op het elektriciteitsnet als het stopcontact van een overeenkomstige zekering voorzien is.

De voedingskabel moet dusdanig worden bevestigd, dat hij op geen enkel punt warmer kan worden dan 50 °C boven de omgevingstemperatuur. Voordat u het apparaat aansluit op het elektriciteitsnet moet u controleren of:

- de voedingszekering en de stroomverdeler de stroombelasting van het apparaat verdragen (zie het matrixplaatje),
- het distributiepaneel is uitgerust met een aarding volgens de normen (ČSN) en de wettelijke voorschriften
- het stopcontact of de schakelaar in de voeding goed bereikbaar zijn vanaf het apparaat
- elektrische voedingleiding naar het apparaat moet gemaakt zijn van oliebestendig materiaal

We zijn niet aansprakelijk wanneer deze normen en de bovengenoemde principes niet in acht worden genomen.

Maak voor het eerste gebruik het apparaat schoon, zie het hoofdstuk „Reiniging en onderhoud“. Het apparaat moet geaard worden met behulp van de schroef met een aardingsmarkering.

- Dit label geeft het aardingspunt van het apparaat aan
- Steek de stekker van de voedingskabel niet in het stopcontact en trek ze niet uit het stopcontact met natte handen en door aan de voedingskabel te trekken!
- Gebruik geen verlengsnoeren of blok contactdozen.
- Het aansluitpunt van het net moet maximaal de ondervermelde impedantie Z_{MAX} conform ČSN EN 61000-3-11:2001 hebben. $Z_{MAX} = 0,042 + j 0,026 \Omega$ voor fasegeleiders en $0,028 + j 0,017 \Omega$ voor nulgeleider



- Dit label geeft het risico van een elektrische schok aan

GEBRUIKSAANWIJZING

Opgelet! Voordat u het apparaat gebruikt, moet u de beschermende folie van het gehele oppervlak verwijderen, het vervolgens goed met water en afwasmiddel wassen en daarna met een vochtige doek afnemen.

Het apparaat is bedoeld om de frieten op de optimale temperatuur te houden voor het uitdelen. Om de efficiëntie van het apparaat te verhogen, raden wij aan om bij de warmhoudbak UH-12 een infraroodlamp IL-1 toe te voegen. Deze set zorgt voor het creëren van microklimaat en verlengt op die manier het behouden van de smaakeigenschappen van de frieten voor het uitdelen.

Bediening van UH - 12, BMV 1115 + IL3 Schakel het apparaat in met de hoofdschakelaar (A), draai de knop (D) van de positie "0" naar de gewenste temperatuur in een bereik van 30-90 °C (de lamp IL 3 schakelt automatisch in). De controlelampjes (B) en (C) branden. Het controlelampje (B) brandt als het apparaat onder stroom staat. Het controlelampje (C) brandt als de warmtespiralen in werking zijn. Het controlelampje (C) gaat uit wanneer het apparaat de ingestelde temperatuur heeft bereikt. Schakel het apparaat uit door de knop (D) naar de positie "0" te draaien en schakel het hoofdschakelaar (A) uit. Gooi de frieten op een geperforeerd inzetstuk die ervoor zorgt dat de frieten niet doorgedrongen worden met olie.

Bediening van IL - 1, UHL - 11 Schakel de lamp met de schakelaar (E) in. Daardoor wordt het apparaat in werking gezet. De inschakeling van het apparaat wordt door het controlelampje (F) aangegeven. In geval van het apparaat UH-11, plaats de frieten in de bak en schakel de lamp IL-1 met de schakelaar (E) in. Het lage vermogen van het verwarmingselement en hoge warmteafvoer zorgen ervoor dat het apparaat niet oververhit raakt. Voor een optimale functie van de frieten warmhoudbak is het noodzakelijk om deze met de infraroodlamp IL-1 te gebruiken.

De bak leegmaken:

Maak de container leeg als het water afgekoeld is en het apparaat ontkoppeld is van stroomtoevoer. hanteer daarvoor de volgende werkwijze:

De gebruiker moet een geschikte bak ter beschikking hebben om het water uit de container te laten lopen. Deze bak moet gemaakt zijn uit hittebestendig materiaal en moet zo staan dat het water niet kan spetteren en dus geen gevaar oplevert. Verwijder de zekeringssklem tegen onbedoeld openen door deze naar boven te draaien en schuif de hendel naar de positie die is gemarkeerd met de geopende kraan. Tap de kom af als het water koud is.



REINIGING EN ONDERHOUD

Het apparaat moet ten minste 2x per jaar door een gespecialiseerde service gecontroleerd worden. Alle ingrepen aan het apparaat mogen slechts door een gekwalificeerd persoon worden uitgevoerd, die daartoe bevoegd is.

OPGELET! Het apparaat mag niet schoongemaakt worden met een directe waterstraal of met een hogedrukreiniger. Maak het apparaat elke dag schoon. Dankzij het dagelijks onderhoud bent u verzekerd van een lange levensduur en de efficiëntie van het apparaat. Controleer voordat u begint met schoonmaken of het apparaat is losgekoppeld van het elektriciteitsnet. Onderbreek altijd de stroomvoorziening van het apparaat. Maak de elementen van roestvrijstaal schoon met een vochtige doek en een klein beetje schoonmaakmiddel zonder schurende deeltjes en droog met een doek. Gebruik geen schurende of corrosieve schoonmaakmiddelen.

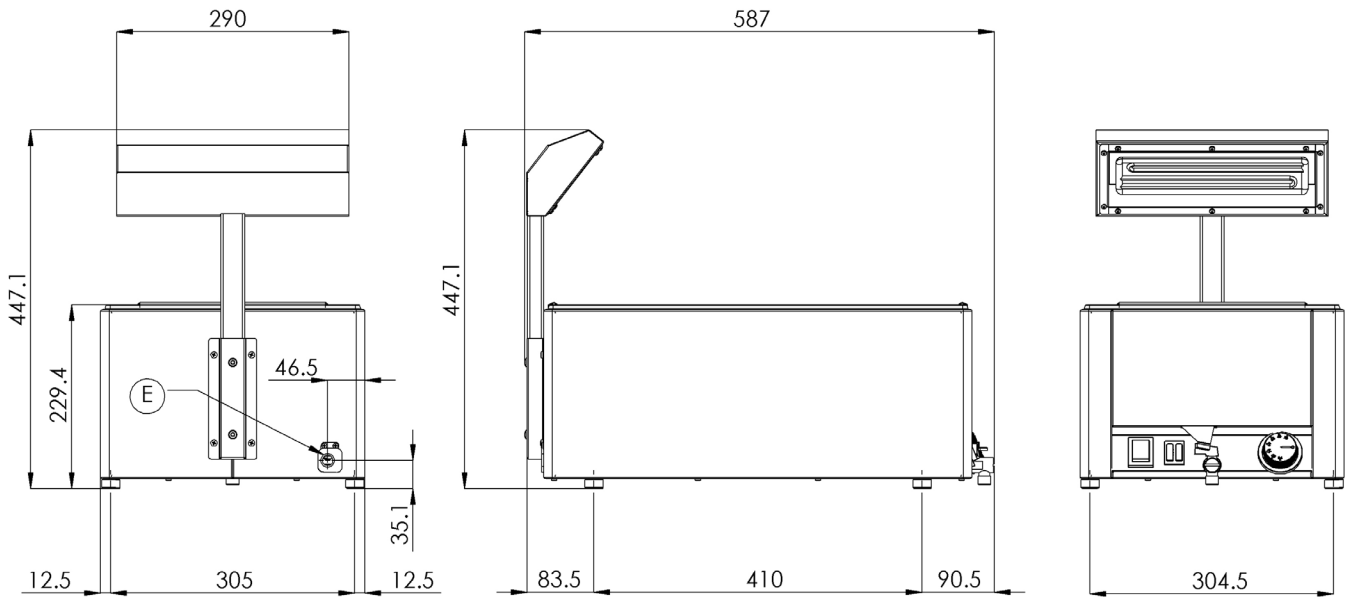
Opgelet! Voordat u het apparaat gebruikt, moet u de beschermende folie van het gehele oppervlak verwijderen, het vervolgens goed met water en schoonmaakmiddel wassen en daarna met een vochtige doek afnemen.

Maatregelen bij storingen Onderbreek de stroom-/gasvoorziening en neem contact op met de serviceafdeling van de verkoper.

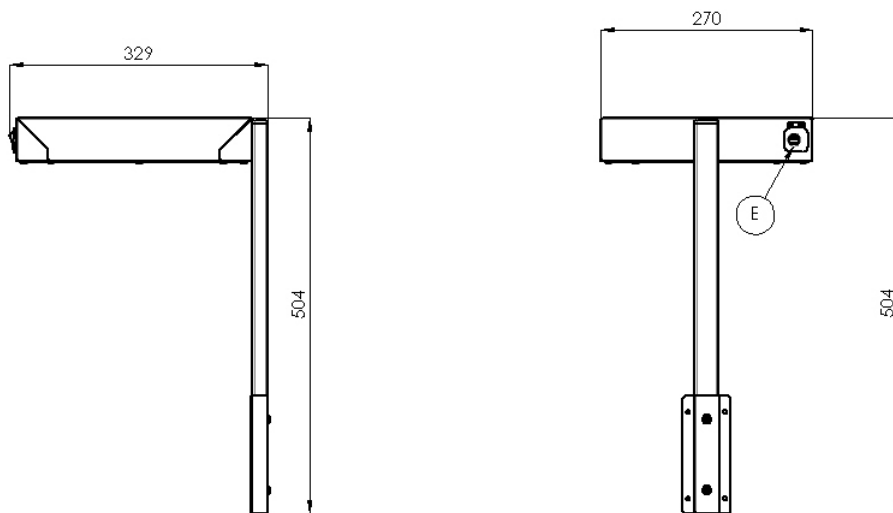
De garantie dekt niet alle verbruiksartikelen die onderhevig zijn aan normale slijtage (rubber dichtingen, lampjes, glazen en plastic onderdelen enz.). De garantie strekt zich ook niet uit over apparaten die niet zijn geïnstalleerd door bevoegde personen in overeenstemming met de instructies in de gebruiksaanwijzing en de van toepassing zijnde normen en indien het apparaat onjuist is behandeld (ingrepen in binnenapparatuur enz.) of indien het apparaat bediend is door ongetraind personeel en in de strijd met de gebruiksaanwijzing. Verder dekt de garantie geen schade veroorzaakt door natuurlijke verschijnselen of andere externe invloeden.

De transportverpakkingen en apparaten moeten aan het einde van hun levensduur aan een inzamelplaats overhandigd worden, in overeenstemming met de voorschriften voor afval en gevaarlijk afval beheer.

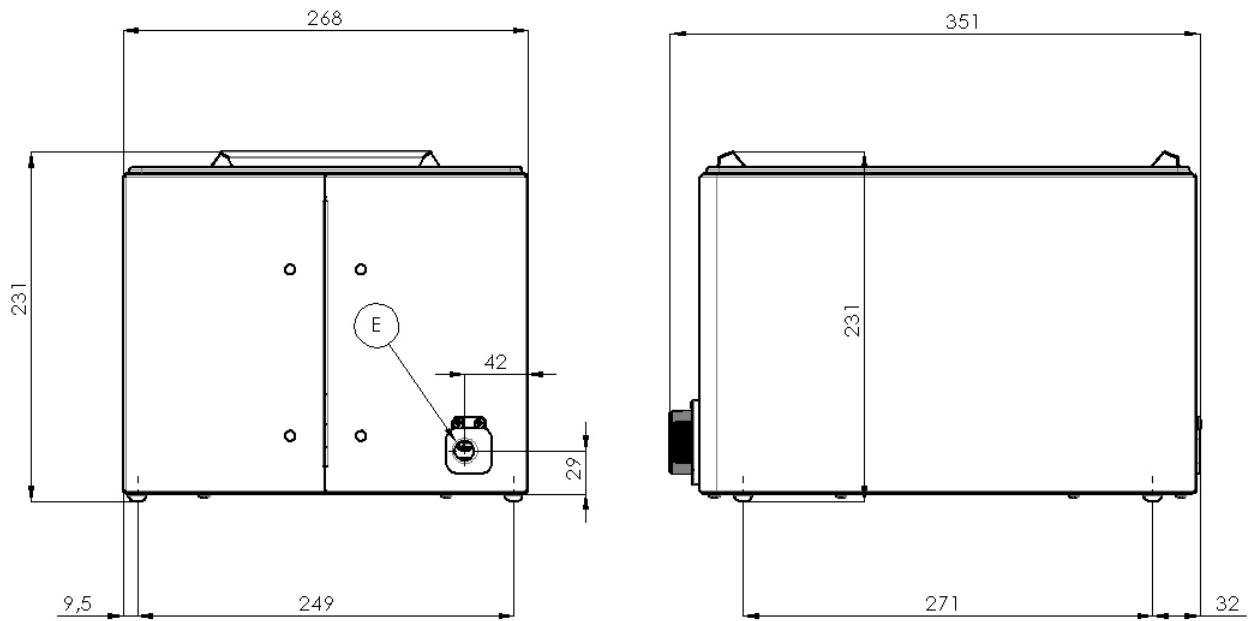
DIMENSIONAL PICTURE, DIMENSIONALES BILD, IMAGE DIMENSIONNELLE -
BMV-1115 + IL 3



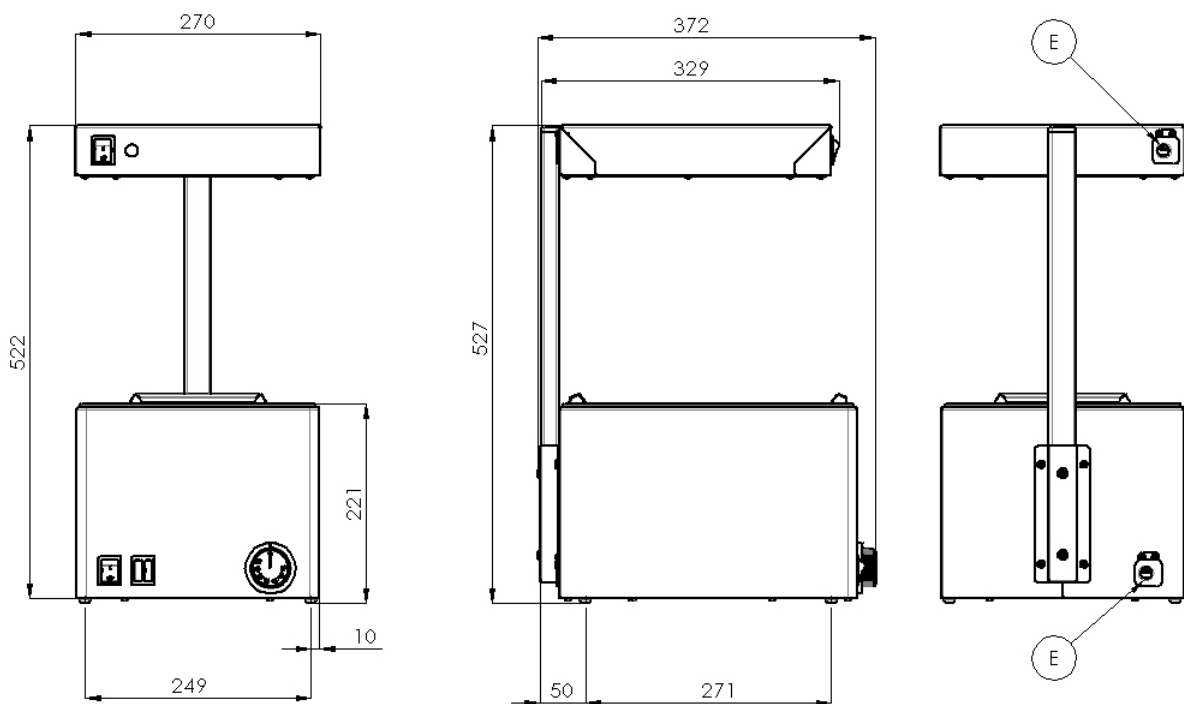
DIMENSIONAL PICTURE, DIMENSIONALES BILD, IMAGE DIMENSIONNELLE -
IL-1



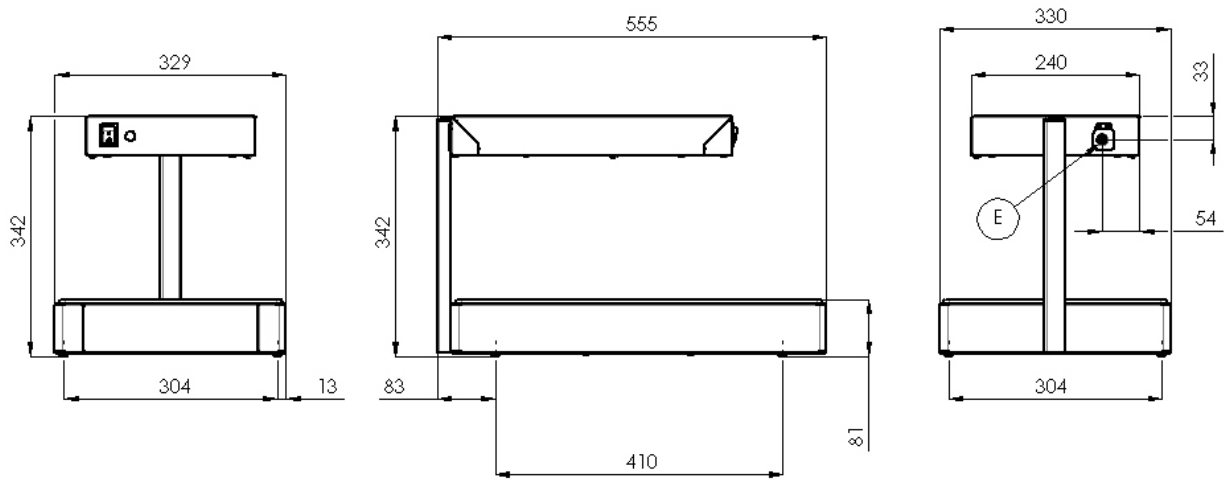
DIMENSIONAL PICTURE, DIMENSIONALES BILD, IMAGE DIMENSIONNELLE -
UH-12



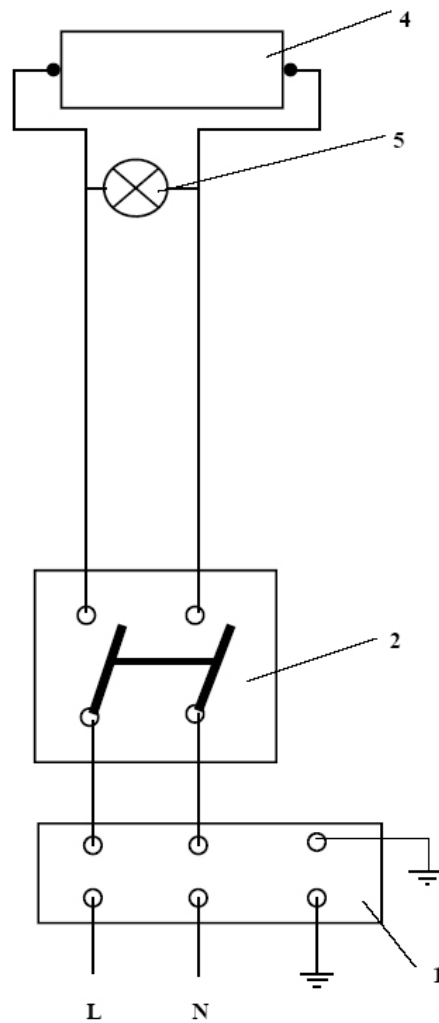
DIMENSIONAL PICTURE, DIMENSIONALES BILD, IMAGE DIMENSIONNELLE -
UH-12 + IL 1



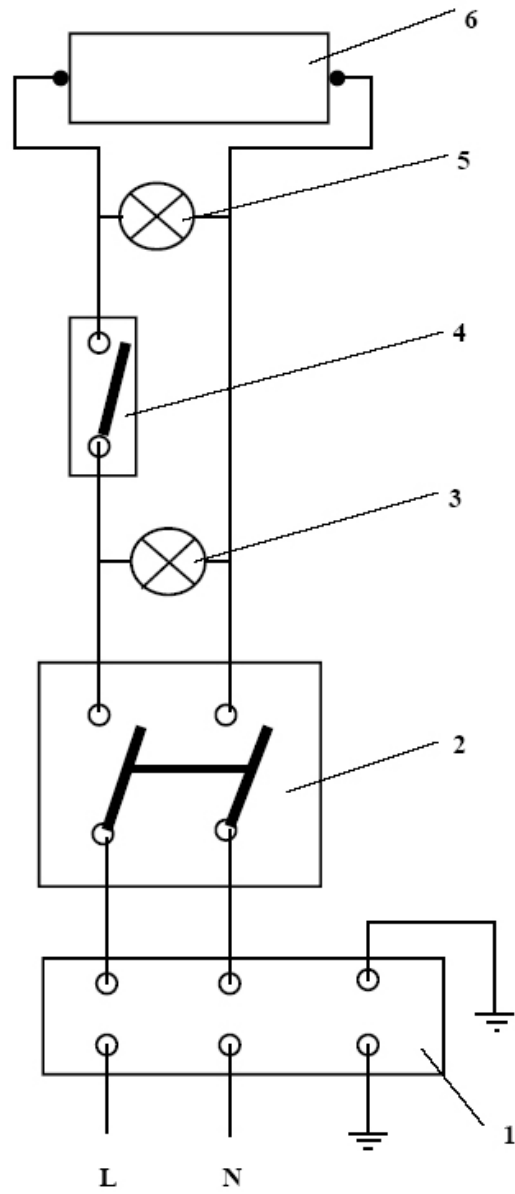
DIMENSIONAL PICTURE, DIMENSIONALES BILD, IMAGE DIMENSIONNELLE -
UHL-11



EL. CONNECTION DIAGRAM / SCHALTPLAN / SCHÉMA DU ELECTRIQUE
IL_1_UHL_11

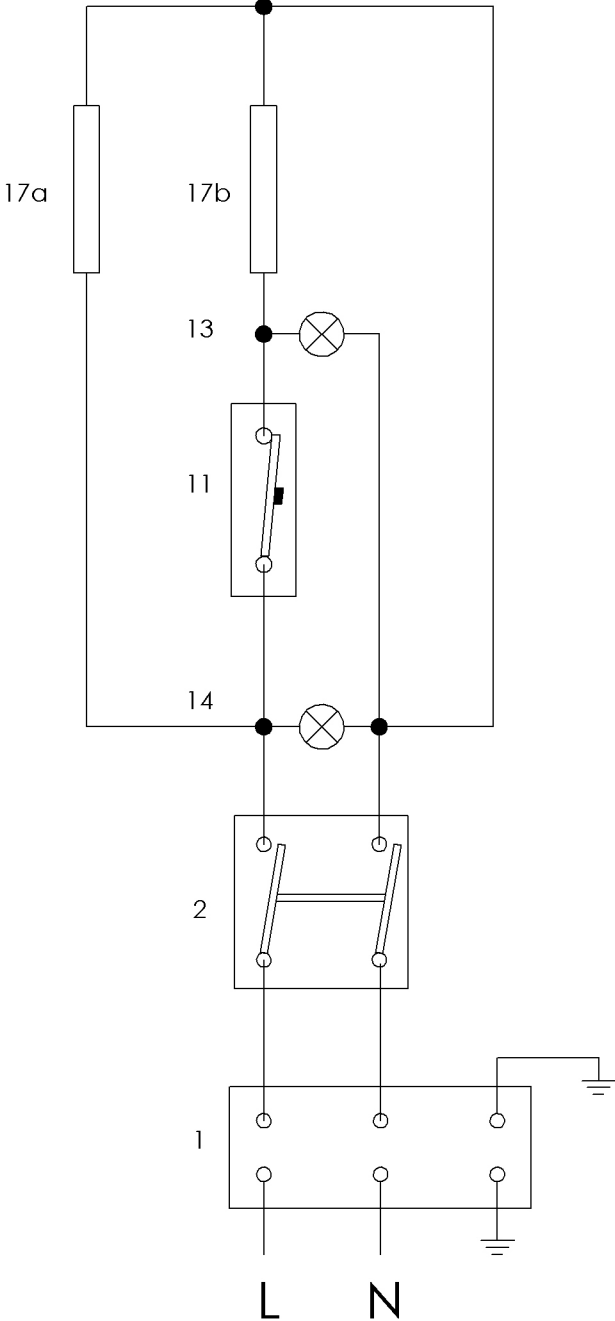


EL. CONNECTION DIAGRAM / SCHALTPLAN / SCHÉMA DU ELECTRIQUE
UH_12



**EL. CONNECTION DIAGRAM / SCHALTPLAN / SCHÉMA DU ELECTRIQUE
BMV-1115 + IL 3**

ELSCHEMA BM 1115 + IL-3 230V/N



- 1 - TERMINAL BOARD
- 2 - MAIN SWITCH
- 11 - THERMOSTAT
- 13 - LED WHITE
- 14 - LED GREEN
- 17a - HEATING ELEMENT IL
- 17b - HEATING ELEMENT BMV

PROHLÁŠENÍ O SOULADU S NORMAMI

Výrobce prohlašuje, že přístroje splňují základní požadavky směrnice 2004/108/ES (nařízení vlády č. 616/2006 Sb.) a požadavky směrnice 2006/95/ES (nařízení vlády č. 17/2003 Sb.).

Pozor, výrobce se vzdává jakékoli odpovědnosti v případě přímých i nepřímých poškození, které se vztahují ke špatné instalaci, nesprávným zásahem nebo úpravami, nedostatečnou údržbou, nesprávným používáním, a které jsou eventuálně způsobeny jinými příčinami, jež uvádí body uvedené v podmínkách prodeje. Tento spotřebič je určen pouze pro odborné používání a musí být obsluhován kvalifikovanými osobami. Části, které byly po nastavení zajištěny výrobcem nebo pověřeným pracovníkem, nesmí uživatel přestavovat.

TECHNICKÁ DATA

Štítek s technickými údaji je umístěn na boku či zadním panelu přístroje. Před instalací si prostudujte elektrické schéma zapojení a všechny následující informace.

Typ výrobku	Rozměr (cm)	Napětí (V/Hz)	Výkon (kW)
UH - 12 IL	27 x 33 x 54	230 V / 50 Hz	0,7
UH - 12	27 x 33 x 24	230 V / 50 Hz	0,35
UH - 11	27 x 33 x 54	230 V / 50 Hz	0,35
IL - 1	25 x 27 x 4	230 V / 50 Hz	0,35
BMV - 1115 + IL3	33 x 54 x 50	230 V / 50 Hz	1,2

KONTROLA OBALU A ZAŘÍZENÍ

Zařízení opouští naše sklady v řádném obalu, na kterém jsou odpovídající symboly a označení. V obalu se nachází odpovídající návod k obsluze. Jestliže by obal měl vykazovat špatné zacházení, známky poškození, musí se okamžitě reklamovat u přepravce a to sepsáním a podepsáním protokolu o škodě. Na pozdější reklamace nebude brán zřetel.

Důležité upozornění

Tento návod musí být řádně a pozorně přečten, protože obsahuje důležité informace o bezpečnostních prvcích, instalaci a použití.

- Tato doporučení se vztahují na tento výrobek, nebo produktovou linii.
- Tento návod se musí řádně uschovat pro budoucí použití.
- Zabraňte dětem manipulovat s přístrojem.
- Při prodeji nebo přemístění je nutno se přesvědčit, že obsluha nebo odborný servis se seznámil s ovládáním a instalačními pokyny v příloženém návodu.
- Výrobek smí obsluhovat pouze obsluha, která se seznámila s tímto návodem k použití.
- Nesmí být spuštěn bez dozoru.
- Doporučuje se kontrola odborným servisem minimálně 2x ročně.
- Při eventuální opravě nebo výměně dílů musí být použity originální náhradní díly.
- Výrobek se nesmí čistit proudem vody nebo tlakovou sprchou.
- Při poruše nebo špatném chodu výrobku je nutné odpojit veškeré příklady (voda, elektřina, plyn) a zavolat autorizovaný servis.
- Výrobce se vzdává jakékoli zodpovědnosti při poruchách způsobenými chybnou instalací, nedodržením shora uvedených doporučení, jiným užíváním apod.
- Přístroj se smí používat pouze k účelu, ke kterému je určený, jiné použití je zakázané a může vést ke vzniku nebezpečí či úrazu
- Musí být zajištěno nej přísnější dodržování pravidel protipožární ochrany

UMÍSTĚNÍ

Ke správné činnosti a umístění spotřebiče je nutné dodržet následující směrnice dle norem TPG G 704 01, ČSN 127040 a ČSN 127010.

Rozbalte přístroj a zkontrolujte, zda se přístroj nepoškodil během přepravy. Umístěte přístroj na vodorovnou plochu (maximální nerovnost do 2°). Drobné nerovnosti lze vyrovnat regulovatelnými nožičkami.

Jestliže zařízení bude umístěno tak, že bude v kontaktu se stěnami nábytku, tyto musí odolávat teplotě až 60°C. Instalaci, seřízení, uvedení do provozu musí provést kvalifikovaná osoba, která má k takovýmto úkonům oprávnění a to dle platných norem.

Přístroj může být instalován samostatně nebo v sérii s přístroji naší výroby. Je nutno dodržovat minimální vzdálenost 10 cm od hořlavých materiálů. V tomto případě je nutné zabezpečit odpovídající úpravy, aby byla zabezpečena tepelná izolace hořlavých částí.

Spotřebič se musí instalovat pouze na nehořlavém povrchu nebo u nehořlavé stěny.

Nejmenší požadovaný průtok vzduchu z venkovního prostoru pro spotřebiče v provedení A je v rozmezí 5-20 m³/h, dle typu spotřebiče. Záleží na instalačních předpisech pro danou zemi určení.

Součásti spotřebiče zajištěné výrobcem, nebo jeho zástupcem nesmí pracovník provádějící instalaci výrobku přestavovat.

BEZPEČNOSTNÍ OPATŘENÍ Z HLEDISKA POŽÁRNÍ OCHRANY PODLE ČSN 061008 ČL. 21

- obsluhu spotřebiče smí provádět pouze dospělé osoby
- spotřebič smí být bezpečně používán v souladu s normami:
ČSN 33 2000-4-482: Ochrana proti požáru v prostorách se zvláštním rizikem nebo nebezpečím
ČSN 33 2000-4-42: Ochrana před účinky tepla

- spotřebič je nutné umístit tak, aby stál nebo visel pevně na nehořlavém podkladu

Na spotřebič a do vzdálenosti menší než bezpečná vzdálenost od něho nesmějí být kladeny předměty z hořlavých hmot (nejmenší vzdálenost spotřebiče od hořlavých hmot je 10 cm).

Tabulka: stupeň hořlavosti stavební hmoty zařazené do st. hořlavosti (ČSN 730823) hmot a výrobků

Stupeň hořlavosti	Stavební hmoty
A - nehořlavé	žula, pískovec, betony, cihly, keramické obkladačky, omítky
B - nesnadno hořlavé	akumin, heraklit, lihnos, itaver
C1 - těžce hořlavé	dřevo, listnaté, překližky sirkoklit, tvrzený papír, umakart
C2 - středně hořlavé	dřevotřískové desky, solodur, korkové desky, pryž, podlahoviny
C3 - lehce hořlavé	dřevovláknité desky, polystyrén, polyureten, PVC

• informace o stupni hořlavosti běžných stavebních hmot uvádí tabulka níže. Spotřebiče musí být instalovány bezpečným způsobem. Při instalaci musí být dále respektovány příslušné projektové, bezpečnostní a hygienické předpisy dle:

- ČSN 06 1008 požární bezpečnost lokálních spotřebičů a zdrojů tepla
- ČSN 33 2000-4-482 ochrana proti požáru v prostorách se zvláštním rizikem nebo nebezpečím
- ČSN 33 2000-4-42 ochrana před účinky tepla

INSTALACE

Důležité:

Výrobce neposkytuje žádnou záruku na závady, vzniklé v důsledku nesprávného používání, nedodržování instrukcí obsažených v příloženém návodu k použití a špatným zacházením se spotřebiči.

Instalaci, úpravy a opravy spotřebičů pro velkokuchyně, tak jako i jejich demontáž z důvodu možného poškození přívodu plynu, mohou být prováděny pouze na základě smlouvy o údržbě, tato smlouva může být uzavřena s autorizovaným prodejcem, přičemž musí být dodržovány technické předpisy a normy a předpisy týkající se instalace, elektrického přívodu, plynové přípojky a bezpečnosti práce.

Technické instrukce pro instalaci a seřízení, k použití POUZE pro specializované techniky.

Instrukce, které následují, se obrací k technikovi kvalifikovanému pro instalaci, aby provedl všechny operace způsobem co nejkorektnějším a podle platných norem.

Jakákoli činnost spojená s regulací apod. musí být vykonána pouze se zařízením odpojeným ze sítě. Je-li nutno udržovat spotřebič pod napětím je nutno dbát nejvyšší opatrnosti.

Typ spotřebiče pro provedení odtahu je deklarován na typovém štítku, jedná se o spotřebiče typu A1.

PŘIPOJENÍ ELEKTRICKÉHO KABELU DO SÍTĚ

Instalace elektrického přívodu - tento přívod musí být samostatně jištěn. A to odpovídajícím jističem jmenovitého proudu v závislosti na příkonu instalovaného přístroje. Příkon přístroje zkontrolujte na výrobním štítku na zadním panelu (či boku) přístroje.

Připojený zemnicí vodič musí být delší než ostatní vodiče. Přístroj připojte přímo na síť, je nezbytné vložit mezi spotřebič a síť vypínač s minimální vzdáleností 3 mm mezi jednotlivými kontakty, který odpovídá platným normám a zatížením. Přívod uzemnění (žlutozelený) nesmí tímto spínačem být přerušen. Přístroj určený pro připojení do zásuvky, připojte do sítě pokud má zásuvka odpovídající jištění.

V každém případě přívodní kabel musí být umístěn tak, že v žádném bodě nedosáhne teploty o 50 stupňů vyšší než prostředí. Než bude spotřebič připojen do sítě, je nutné se nejprve ujistit, že:

- přívodní jistič a vnitřní rozvod snesou proudové zatížení spotřebiče (viz štítek matrice)
- rozvod je vybaven účinným uzeměním podle norem (ČSN) a podmínek daných zákonem
- zásuvka nebo vypínač v přívodu jsou dobře přístupné od spotřebiče
- elektrický přívod do zařízení musí být z olejovzdorného materiálu

Vzdáváme se jakékoli zodpovědnosti v případě, že tyto normy nebudou respektovány a v případě porušení výše uvedených zásad.

Před prvním použitím musíte přístroj vyčistit viz. kapitola „čištění a údržba“. Spotřebič musí být uzemněn pomocí šroubu se značkou uzemnění.



- Tato etiketa označuje uzemňovací bod zařízení

NÁVOD K POUŽITÍ

Pozor! Než začnete přístroj používat, je nutné jej dobře omýt vodou se saponátem na nádobí, a poté otřít vlhkým hadrem a zároveň odstranit z jednotlivých ploch ochranou folii.

Zařízení je určeno pro udržení hranolek v optimální teplotě pro výdej. Pro zvýšení účinnosti zařízení doporučujeme doplnit udržovač UH-12 o infra lampu IL-1. Tato sestava Vám zabezpečí vytvoření mikroklimatu a tím prodloužení udržení chuťových vlastností hranolek pro výdej.

Ovládání UH - 12, BMV 1115 + IL3

Zapněte hlavním vypínačem (A) otočte ovladačem (D) z polohy „0“ na vámi požadovanou hodnotu v rozpětí 30 °C - 90 °C (lamap IL 3 se automaticky zapne). Kontrolky (B) a (C) budou svítit. Kontrolka (B) svítí, když je přístroj pod el. proudem. Kontrolka (C) svítí, pokud jsou v chodu tepelné spirály. Kontrolka (C) zhasne, pokud je přístroj vyhřátý na nastavenou teplotu. Přístroj vypnete, když otočíte ovladačem (D) do polohy „0“ a přepnete hlavní vypínač (A). Hranolky nasypete na děrovanou vložku, která zabraňuje nasáknutí hranolek olejem.

Ovládání IL - 1, UHL - 11

Zapněte lampu vypínačem (E) a tím uvede zařízení do chodu. Zapnutí zařízení Vám indikuje kontrolka (F). U zařízení UH-11 vložíte hranolky do nádoby a zapnete lampu IL - 1 vypínačem (E). Nízký výkon topného tělesa a vysoký odvod tepla zaručuje, že nedojde k přehřátí. Pro optimální funkci udržovače hranolek je nutné jej používat v sestavě s infračervenou lampou IL-1.



Vypuštění vany:

Vanu vylévejte pokud je voda chladná a přístroj je odpojen od elektrického proudu.


postupujte takto:

Uživatel se musí vybavit vhodnou nádobou na vypouštění vody z vany. Tato nádoba musí být z tepelně odolného materiálu a musí být postavena tak, že voda nebude stříkat a tím nebude způsobovat nebezpečí. Odstraňte pojistku proti nechtěnému otevření směrem vzhůru a páčku posuňte do polohy s označením otevřeného kohoutu. Vanu vypouštějte pokud je voda chladná.

ČIŠTENÍ A ÚDRŽBA

Přístroj se musí alespoň 2 x ročně překontrolovat odborným servisem. Veškeré zásahy do přístroje může provádět pouze kvalifikovaná osoba, která má k takovýmto úkonům oprávnění.

POZOR!

 Zařízení se nesmí čistit přímou nebo tlakovou vodou. Čistěte zařízení denně. Denní údržba prodlužuje životnost a účinnost zařízení. Před započetím čištění se přesvědčte, jestli jste odpojili zařízení od elektrického proudu. Vždy vypněte hlavní přívod k zařízení. Nerezové části omyjte vlhkým hadrem se saponátem bez hrubých částic a vytřete do sucha. Nepoužívejte abrasivní nebo korosivní čisticí prostředky.

Pozor! Než-li začnete přístroj používat, je nutné z celého povrchu sejmout ochranné fólie, a pak jej dobře omýt vodou se saponátem na nádobí, a poté otřít vlhkým hadrem.

Jak postupovat v případě poruchy?

Vypněte elektrický (plynový) přívod a zavolejte servisní organizaci prodejce.

Záruka se navztahuje na všechny spotřební díly podléhající běžnému opotřebení (gumová těsnění, žárovky, skleněné a plastové díly atd.). Záruka se též nevztahuje na zařízení pokud není provedena instalace v souladu s návodem – oprávněným pracovníkem dle odpovídajících norem a pokud bylo se zařízením neodborně manipulováno (zásahy do vnitřního zařízení atd.) nebo bylo obsluhováno nezaškoleným personálem a v rozporu s návodem k použití, dále se záruka nevztahuje na poškození přírodními vlivy či jiným vnějším zásahem.

Přepravní obaly a zařízení po ukončení životnosti odevzdejte do sběru, dle předpisů o nakládání s odpadem a nebezpečným odpadem.

OŚWIADCZENIE ZGODNOŚCI Z NORMAMI

Producent oświadcza, że urządzenia są wykonane według polskich norm i przepisów Unii Europejskiej. Montaż musi być przeprowadzony zgodnie z obowiązującymi normami, zwłaszcza w kwestii odpowiedniego wietrzenia pomieszczeń i systemu odprowadzenia spalin.

Uwaga!

Producent nie odpowiada za szkody wynikłe pośrednio lub bezpośrednio przez: złą instalację, niewłaściwą obsługę lub przeróbki, niedostateczną konserwację lub inne przyczyny niezgodne z punktami warunków sprzedaży. Urządzenie to przeznaczone jest do profesjonalnego użytkowania i musi być obsługiwane osobami o odpowiedniej kwalifikacji. Części, które były po nastawieniu zabezpieczone przez producenta lub pracownika serwisu nie mogą być zmieniane.

DANE TECHNICZNE

Tabliczka znamionowa znajduje się na tylnej części obudowy urządzenia. Przed instalacją zaleca się zapoznanie z instrukcją obsługi i wszystkimi niżej umieszczonymi informacjami.

Model	Wymiary	Napięcie (V/Hz)	Moc (kW)
UH - 12 IL	27 x 33 x 54	230 V / 50 Hz	0,7
UH - 12	27 x 33 x 24	230 V / 50 Hz	0,35
UH - 11	27 x 33 x 54	230 V / 50 Hz	0,35
IL - 1	25 x 27 x 4	230 V / 50 Hz	0,35
BMV - 1115 + IL3	33 x 54 x 50	230 V / 50 Hz	1,2

KONTROLA OPAKOWANIA I URZĄDZENIA

Urządzenie opuszcza zakłady odpowiednio zapakowane, właściwie oznakowane ietykietowane. Posiada również instrukcję obsługi. W przypadku, kiedy opakowanie nosioznaki niewłaściwego traktowania lub uszkodzenia, należy bezzwłocznie zgłosić ten fakt na piśmie u przewoźnika i podpisać protokół szkody.

Ważne

Niniejsza instrukcja powinna być przeczytana z uwagą, ponieważ zawiera ważne informacje bezpieczeństwa, montażu oraz obsługi.

- należy uważnie zapoznać się z niniejszą instrukcją obsługi, ponieważ zawiera ona ważne informacje dotyczące elementów bezpieczeństwa, montażu i użytkowania
- podane zalecenia odnoszą się do opisanego produktu
- niniejszy produkt jest zgodny z obowiązującymi normami
- instrukcję należy zachować do przyszłego użytku
- produkt powinien znajdować się poza zasięgiem dzieci
- w razie sprzedaży lub przeniesienia produktu w inne miejsce, należy upewnić się, że personel obsługi oraz serwisanci zapoznali się z zaleceniami dotyczącymi obsługi i instalacji podanymi w załączonej instrukcji
- urządzenie mogą obsługiwać tylko upoważnione do tego osoby
- nie należy pozostawiać włączonego urządzenia bez nadzoru
- zalecamy, aby produkt był sprawdzany przez profesjonalny serwis przynajmniej raz w roku
- w razie napraw, należy używać wyłącznie oryginalnych części zamiennych
- produktu nie należy czyścić strumieniami wody lub ciśnieniowo
- w razie uszkodzenia lub awarii, należy odłączyć wszystkie przewody zasilające (wodne, gazowe, elektryczne) i wezwać fachowy serwis
- producent nie bierze odpowiedzialności za szkody powstałe z powodu niewłaściwego montażu, nieprzestrzegania powyższych zaleceń, użytkowania niezgodnego z przeznaczeniem, itp.

UMIEJSCOWIENIE

Do regulacji i instalacji urządzenia jest konieczne, by pomieszczenie - kuchnia - było odpowiednio wietrzone (wg istniejących norm). Jeżeli urządzenie będzie umieszczone tak, że będzie stykać się ze ścianą pomieszczenia (kuchni), musi być ściana odporna na temperaturę powyżej 60°C.

Ważne jest by po odpakowaniu urządzenia, skontrolować czy urządzenie nie zostało uszkodzone w czasie transportu. Urządzenie umieścić na poziomej powierzchni (z max nierównościami do 2°). Drobne nierówności można wyrównać za pomocą nóżek.

Urządzenie może być instalowane oddzielnie lub w serii z innymi urządzeniami naszej produkcji. Jest ważne utrzymać odległość 10 cm od materiałów łatwopalnych. W takim przypadku ważne jest dodatkowe zabezpieczenie materiałami izolującymi.

INFORMACJA O INSTALACJI

Ważne

Producent nie odpowiada za usterki, które powstały na skutek nieodpowiedniej eksploatacji urządzenia wbrew instrukcji obsługi.

Poniższe instrukcje przeznaczone są dla wykwalif kowanego pracownika autoryzowanego serwisu, aby przeprowadził instalację w poprawny sposób, zgodnie z obowiązującymi normami.

Jakakolwiek regulacja powinna być przeprowadzona przy urządzeniu odłączonym od sieci. Jeśli jednak zaistnieje konieczność regulacji w trakcie pracy urządzenia, należy zachować szczególną ostrożność.

INSTALACJA

Instalacja, naprawy i ustawienia urządzeń do kuchni profesjonalnych i demontaż mogą być przeprowadzane tylko na podstawie umowy o utrzymaniu. Taka umowa może być podpisana ze sprzedawcą urządzenia. Muszą być zachowane wszystkie normy i przepisy dotyczące instalacji i bezpieczeństwa pracy.

Wentylacja pomieszczenia musi być odpowiednio zaprojektowana, wg. istniejących przepisów i norm. Urządzenie może być zainstalowane samodzielnie lub w serii z innymi naszymi urządzeniami. Od ewentualnej ściany z łatwopalnego materiału musi być dotrzymany odstęp ponad 10cm.

INSTRUKCJA OBSŁUGI

Ważne!

Przed pierwszym uruchomieniem z urządzenia należy odkleić folię ochronną oraz przemyć niewielką ilością wody z płynem do mycia naczyń.

Sterowanie UH-12, BMV 1115 + IL3

- Wyłącznikiem głównym A załączamy urządzenie.
- Przekręcamy pokrętko regulatora B na żądaną temperaturę z zakresu 30°÷90°C.
(Lampa IL3 włącza się automatycznie)
- Kontrolka pomarańczowa C sygnalizuje włączenie zasilania urządzenia.
- Kontrolka zielona D sygnalizuje grzanie i gaśnię po osiągnięciu żądanej temperatury.
- Urządzenie wyłączamy przekręcając pokrętko regulatora B w pozycję „0” i wyłączając wyłącznik główny A.



Sterowanie IL1, UHL-11

- Włączenie i regulacja urządzenia wygląda identycznie jak w UH-12.
- Dodatkowo mamy na wyposażeniu lampę podgrzewającą uruchamianą wyłącznikiem E, a jej działanie sygnalizuje zielona kontrolka F.

Opróżnienie wanny

Nie przystępować do opróżniania wanny gdy woda w niej jest gorąca lub gdy urządzenie jest podłączone do sieci elektrycznej. Należy zaopatrzyć się w odpowiedni pojemnik do spuszczonej wody - musi być tak skonstruowany by wlewana do niego woda nie rozpryskiwała się, stanowiąc tym samym zagrożenie, i wykonany z materiału odpornego na wysokie temperatury.


- Umieścić rurkę spustową w kranie.
- Podstawić pojemnik.
- Podnieść element zabezpieczający przed przypadkowym otwarciem.
- Otworzyć zawór przesuwając dźwignię.

CZYSZCZENIE I KONSERWACJA

Zaleca się kontrolę urządzenia przez profesjonalny serwis 2 razy w roku. Wszystkie interwencje w urządzeniu może przeprowadzać tylko przeszkolona osoba, która ma wymagane do tego uprawnienia.

Uwaga! Przed rozpoczęciem używania urządzenia należy ściągnąć z całej powierzchni folię ochronną oraz przemyć urządzenie wodą z płynem do naczyń, a następnie przetrzeć wilgotną szmatką.

- Czyszczenie przede wszystkim powierzchni, która jest w kontakcie z żywnością musimy przeprowadzać codziennie i bardzo dokładnie.
- Części nierdzewnych nie wolno czyścić pastami gruboziarnistymi lub środkami agresywnymi.
- Do czyszczenia nie używać papierów ściernych.
- W razie silnego zabrudzenia powierzchni dopuszczalne jest użycie gąbki z utwardzoną powierzchnią.
- Urządzenie czyścić wyłącznie zimne - w przeciwnym wypadku grozi to oparzeniem.
- W czasie dłuższej przerwy w eksploatacji urządzenia należy je zakonserwować olejem jadalnym i wyłączyć zasilanie elektryczne.
- Urządzenia nie należy czyścić wodą pod ciśnieniem (z węża).

 **W razie awarii:**
Odłączyć zasilanie elektryczne. Wezwać autoryzowany serwis.

GWARANCJA

Gwarancja nie obejmuje żadnych części, które podlegają naturalnemu zużyciu (uszczelki, żarówki, części plastikowe i szklane itp.) Gwarancja nie obejmuje również urządzenia jeśli podłączone było nie zgodnie z instrukcją lub przez osoby nie posiadające odpowiednich uprawnień. Gwarancja nie obejmuje uszkodzeń spowodowanych warunkami atmosferycznymi lub przez osoby trzecie.

SCHÉMA ZAPOJENÍ

SCHEMAT PODŁĄCZENIA IL1, UH 11

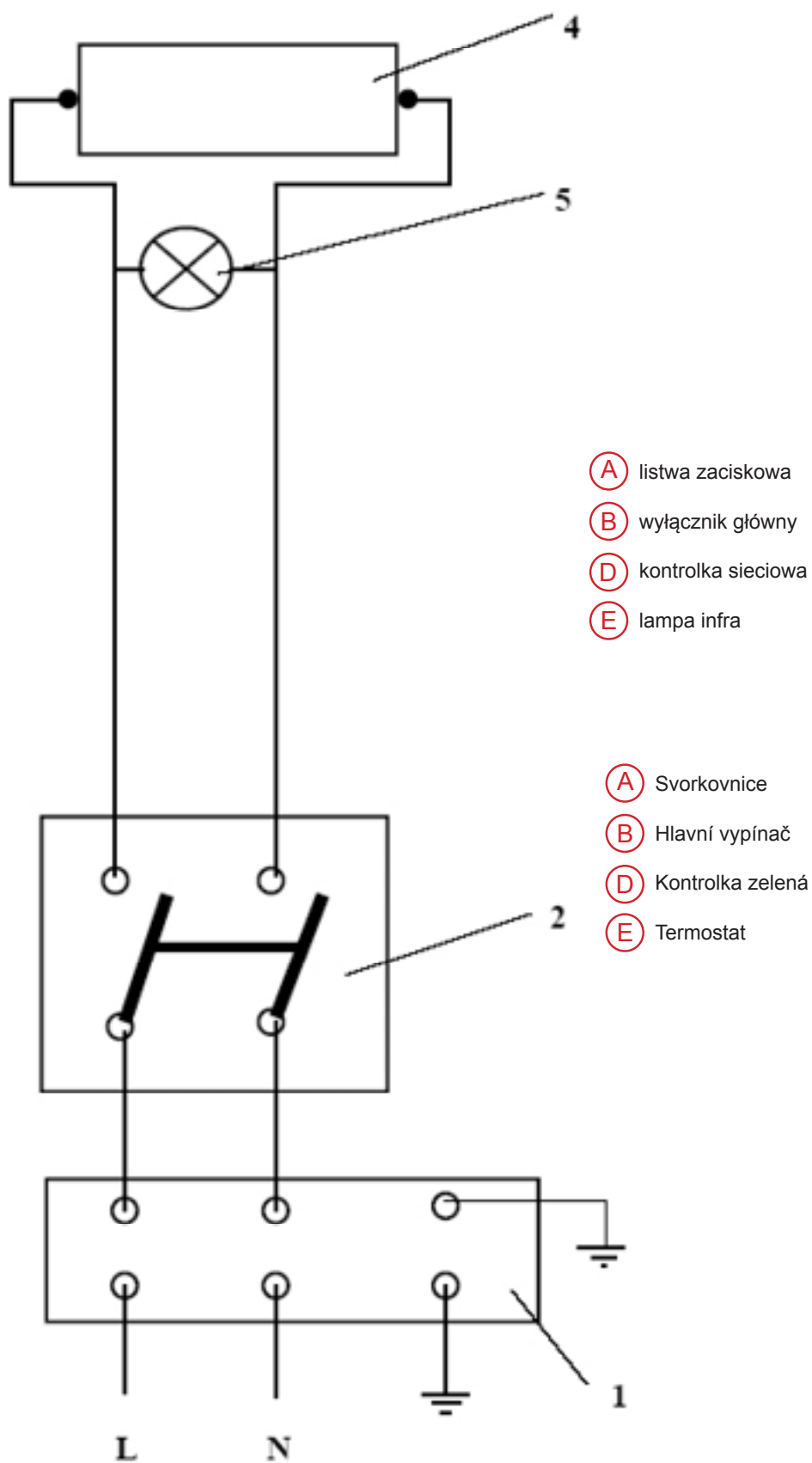


SCHÉMA ZAPOJENÍ SCHEMAT PODŁĄCZENIA UH - 12

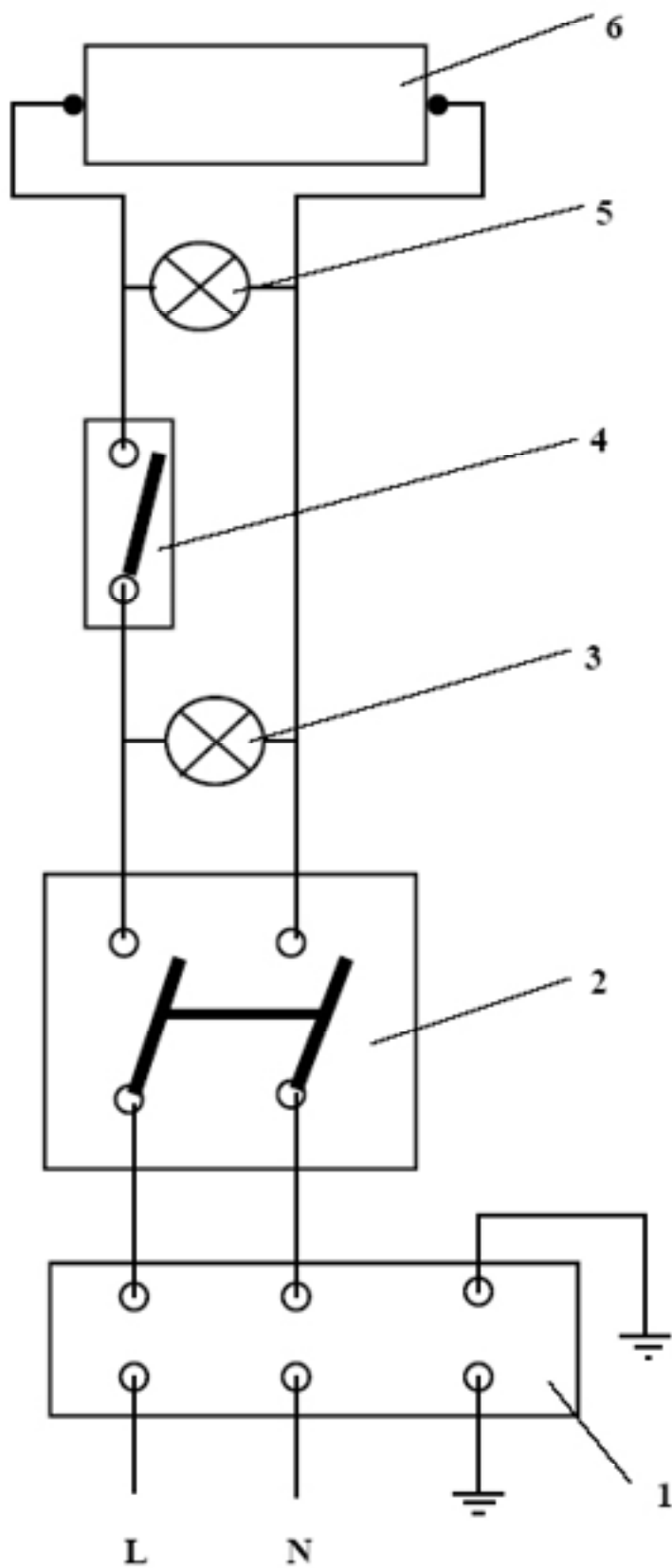
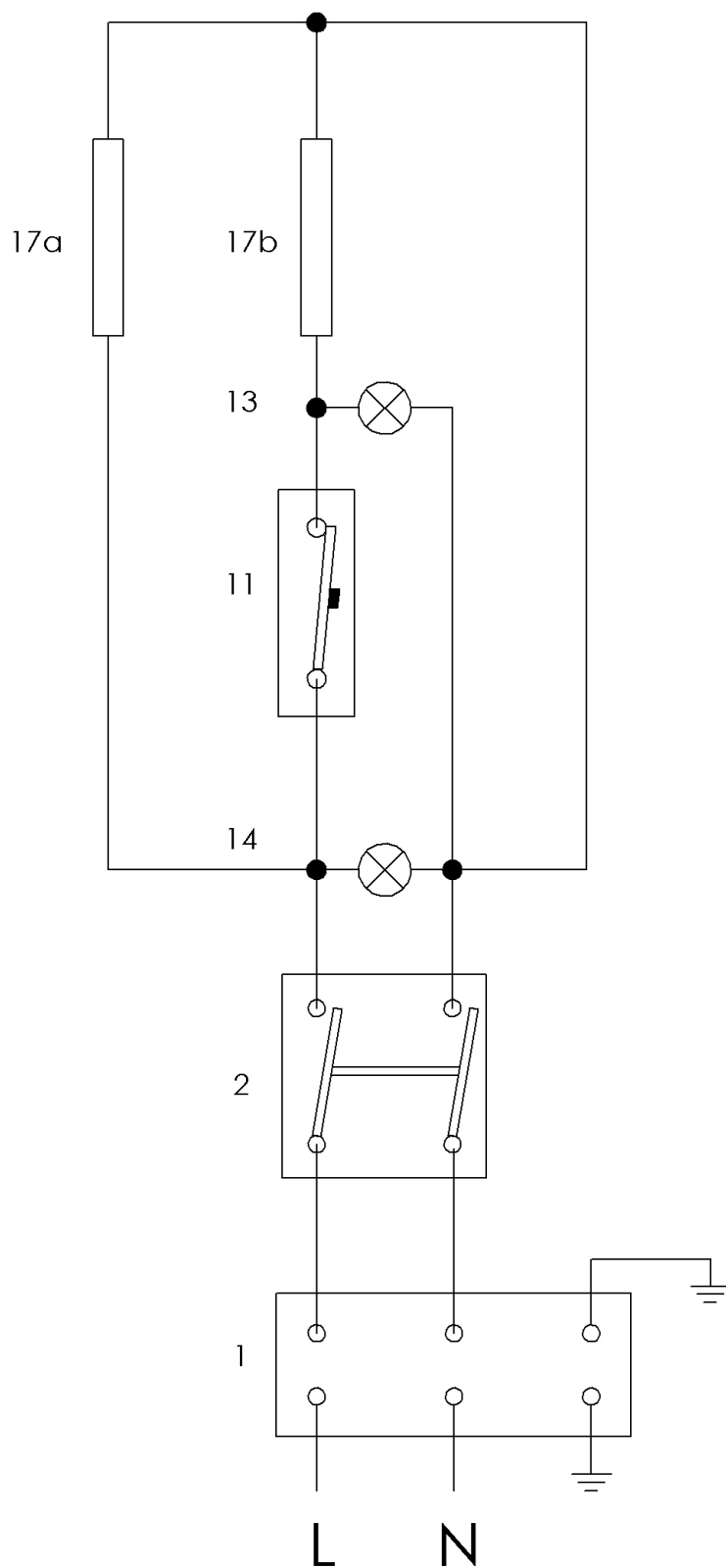


SCHÉMA ZAPOJENÍ

SCHEMAT PODŁĄCZENIA BMV-1115 + IL3



- 1 - SVORKOVNICE
- 2 - VYPÍNAČ I/O
- 11 - TERMOSTAT PRÁCOVNÍ
- 13 - KONTROLKA BILÁ
- 14 - KONTROLKA ZELENÁ
- 17a - TOPNÉ TĚLESO IL
- 17b - TOPNÉ TĚLESO BMV

DECLARACIÓN DE CONFORMIDAD CON LAS NORMAS

Výrobce prohlašuje, že přístroje splňují základní požadavky směrnice 2004/108/ES (nařízení vlády č. 616/2006 Sb.) a požadavky směrnice 2006/95/ES (nařízení vlády č. 17/2003 Sb.).

Pozor, výrobce se vzdává jakékoli odpovědnosti v případě přímých i nepřímých poškození, které se vztahují ke špatné instalaci, nesprávným zásahem nebo úpravami, nedostatečnou údržbou, nesprávným používáním, a které jsou eventuálně způsobeny jinými příčinami, jež uvádí body uvedené v podmínkách prodeje. Tento spotřebič je určen pouze pro odborné používání a musí být obsluhován kvalifikovanými osobami. Části, které byly po nastavení zajištěny výrobcem nebo pověřeným pracovníkem, nesmí uživatel přestavovat.

DATOS TÉCNICOS

Štítek s technickými údaji je umístěn na boku či zadním panelu přístroje. Před instalací si prostudujte elektrické schéma zapojení a všechny následující informace.

Tipo	Tension (V / Hz)	Potencia (kW)	Medidas (cm)
BMV-1115 + IL3	230 / 50	1,2	34 x 54 x 50 v

El aparato sale de nuestros almacenes con su debido envoltorio, provisto de símbolos e indicaciones que corresponden, conteniendo en su interior las instrucciones de uso. En el caso de que el envoltorio hubiera sido mal manipulado o sufriera algún tipo de daño, póngase inmediatamente en contacto con el transportista para presentar una reclamación en forma de protocolo de daño causado, firmado por usted.

Advertencia de importancia

- las instrucciones de uso tienen que ser leídas atentamente, ya que contienen informaciones importantes referentes a las cuestiones de seguridad, instalación y uso
- las recomendaciones indicadas se refieren sólo a este producto en concreto
- el producto corresponde a las normas en vigor
- guarde estas instrucciones para uso posterior
- no deje que el aparato sea operado por niños
- en al venta de producto o en la exportación es necesario comprobar que el personal encargado de la venta o el del servicio especializado se haya familiarizado con las instrucciones de su instalación y funcionamiento
- el aparato puede ser operado sólo por personas formadas al respecto
- el aparato no se puede dejar sin vigilancia
- es recomendable dejar que el aparato sea por lo menos una vez al año revisado por el servicio especializado.
- en las reparaciones o reposiciones de partes del aparato utilice sólo piezas originales
- el aparato no se puede limpiar con un chorro de agua o una ducha a presión
- en caso de producirse una avería o un mal funcionamiento, es necesario desconectar todas las tomas (la de electricidad, gas) y llamar al servicio autorizado
- el fabricante rechaza todo tipo de responsabilidad causada por una instalación inadecuada, por no respetar las arriba indicadas recomendaciones u otra forma de uso que la indicada etc.

UBICACIÓN

Para regular el funcionamiento del aparato es necesario que el local – cocina, esté bien ventilado. Por lo tanto, el técnico se tiene que regir por las normas en vigor (TPG G 704 01, ČSN 127040 a ČSN 127010). En el caso de que el aparato esté en contacto con los laterales de muebles, éstos tienen que ser resistentes a una de temperatura de hasta 60 °C. Instalación, ajuste y puesta en marcha, tiene que ser realizada por una persona especializada que dispone para este tipo de trabajos de una autorización que responde a las normas en vigor.

Extraiga el aparato del envoltorio y compruebe que no se haya dañado durante el transporte. Colóquelo sobre una superficie recta, cuya desigualdad no sobrepase los 2°, debajo de un extractor de humo para eliminar vapor y olores.

El aparato se puede instalar individualmente o en serie con otros productos de nuestra fabricación. Es necesario que se guarde una distancia de mínimo 10 cm entre el aparato y otros objetos a su alrededor, previniendo que el mismo no esté en contacto con materiales inflamables. Para conseguir eso, hay que realizar cambios necesarios para dotarlo de un aislamiento térmico.

MEDIDAS DE SEGURIDAD CONTRA INCENDIOS DE CONFORMIDAD CON LA NORMA EN 061008, ARTÍCULO. 21

- el aparato de gas puede ser operado sólo por personas adultas
- en cualquier lugar, de conformidad con la norma EN 33 2000-4-482, ČSN 33 2000-4-42
- el aparato tiene que ser operado guardando las reglas de seguridad.
- El aparato de gas se tiene que colocar de tal forma, que esté puesto o colgando sobre una superficie de material no inflamable que por cada lado exceda como mínimo 10 cm de lo que es la planta del dispositivo. No se pueden poner objetos de materiales inflamables ni sobre el aparato ni a una distancia inferior de 10cm.
- Informaciones referentes a los distintos grados de inflamabilidad de materiales de construcción y a la distancia de seguridad para los mismos – Véase la tabla que se indica más abajo

Grado de inflamabilidad de materiales de construcción, de conformidad con lo dispuesto en la norma EN 730823	
A no inflamables	granite, piedra arsenica, hormigón, ladrillo, losas cerámicas, revoques especiales
B – unasily combustible	akumin, heraklit, lihnos, itaver
C1 inflamabilidad probable	madera, contrachapa, papel de superficie endurecida, melamina
C2 inflamabilidad de mediana probabilidad	aglomerado, solodur, corcho, caucho, revestimientos de suelo
C3 inflamabilidad de mucha probabilidad	tableros de fibra de madera, polistireno, poliuretano, PVC

El aparato tiene que instalarse de forma segura.

Durante la instalación, además de lo mencionado, se tienen que respetar otras disposiciones de proyecto, seguridad e higiene, que se basen en lo dispuesto en:

- **EN 06 1008 Seguridad antincendios de aparatos y focos de calor**
- **EN 33 2000-4-482**
- **EN 33 2000-4-42**

INSTALACIÓN

Instrucciones técnicas para la instalación y regulación

Destinadas UNICAMENTE a técnicos especializados.

Las instrucciones que se indican a continuación, van dirigidas sólo a técnicos especializados para que efectúen todo el procedimiento de forma correcta y de conformidad con las normas vigentes.



Importante:

Todo tipo de trabajos relacionados con la regulación, etc. tiene que realizarse con el aparato desconectado de la red. Si es necesario mantener el aparato bajo tensión, hay que trabajar con suma prudencia.

CONEXION DEL CABLE ELECTRICO EN LA PARED

La toma eléctrica tiene que disponer de un interruptor de protección propio de corriente específica, correspondiente a la potencia absorbida instalada, la cual viene indicada en la ficha colocada en la parte trasera del aparato.

Conecte el dispositivo directamente en la red. Entre el aparato y la red hay que colocar un interruptor con una distancia mínima de 3mm entre los diferentes contactos que corresponde a las normas en vigor y a la carga eléctrica. El cable de tierra, de color amarillo y verde, no puede estar cortado por el interruptor.

El cable de toma tiene que estar colocado de tal forma que en ningún punto llegue a la temperatura 50 grados superior a la de su entorno. Antes de conectar el aparato a la red, asegúrese de que:

- interruptor de protección y la distribución interna aguanten la carga eléctrica del aparato (Véase la ficha de la matriz)
 - la distribución dispone de una toma de tierra que corresponde a las normas en vigor (CSN) y a las condiciones indicadas por la ley
 - tanto al interruptor como al enchufe se pueda acceder con facilidad
- Renunciamos a todo tipo de responsabilidad en el caso de que no se respeten estas normas, así como los principios arriba indicados.

Antes de poner el aparato por primera vez en marcha, es necesario quitarle el plástico de protección y limpiarlo. Véase el capítulo "Limpieza y mantenimiento".

INSTRUCCIONES DE USO

Conecte el dispositivo con el interruptor principal (A). En esta fase calentará el cuerpo de la lámpara (D). Con el ajuste de temperatura en el botón de regulación (C), comenzará a calentar el cuerpo de la cubeta. El control anaranjado (B) señala el funcionamiento del cuerpo en la cubeta. El dispositivo se desconecta con el interruptor (A) conmutando a la posición „0“.

VACIADO DE LA CUBETA (agua para la limpieza únicamente)

Una vez que desconecta el aparato de la conexión eléctrica, hay que esperar a que se enfríe el agua para poder vaciar la cubeta por medio de un recipiente de material resistente al calor, que se coloca debajo del tubo de vaciado, de tal manera que el agua no esté salpicando, para impedir que se produzca una situación de peligro.

La palanca de la válvula se pone en posición “abierto” y el agua empieza a salir. Siempre hay que esperar a que el agua esté fría.



MANTENIMIENTO Y LIMPIEZA

Mantenimiento

Es recomendable dejar que el aparato sea por lo menos una vez al año repasado por el servicio especializado.

Todas las intervenciones dentro del aparato pueden ser llevadas al cabo únicamente por especialistas que disponen para este tipo de arreglos de una autorización.



¡ATENCIÓN! El aparato no se puede limpiar con un chorro de agua o una ducha a presión. La limpieza se tiene que realizar una vez al día, ya que de esta forma se alarga la vida útil del aparato y su eficacia. Antes de empezar a limpiar, compruebe, que el aparato haya sido desconectado de la red.

Lave las partes inoxidable del mismo, con un detergente sin partículas abrasivas ni corrosivas, limpiándolo a continuación con un paño húmedo y séquelo entero.

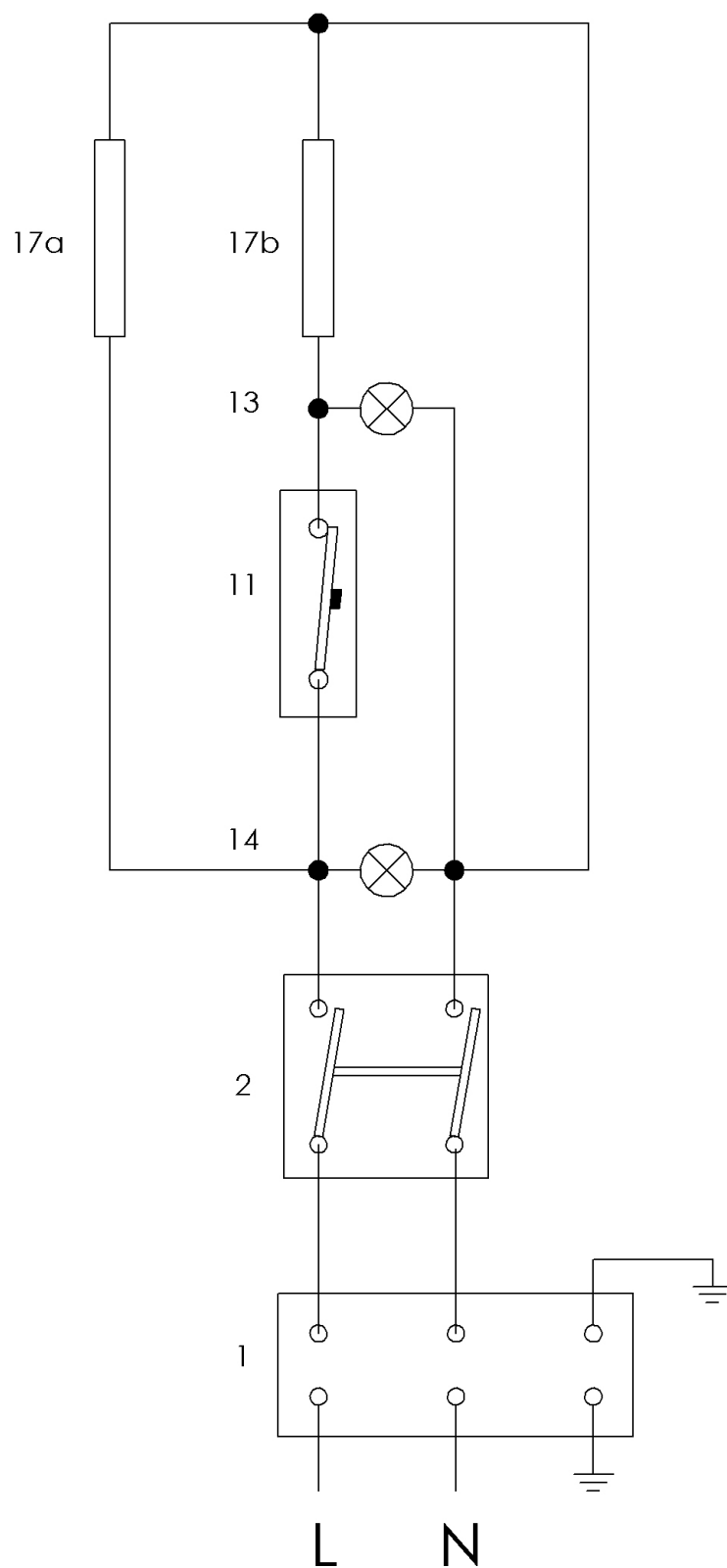
Cómo proceder en caso de avería:



Cierre la entrada de gas y llame al servicio del vendedor.

ADVERTENCIA

La garantía no incluye piezas que se desgastan por el constante uso (juntas de goma, bombillas, partes de plástico o de cristal etc.). Tampoco se ofrece garantía en casos de aparatos cuya instalación no se haya llevado al cabo de acuerdo con las instrucciones por un especialista autorizado y de conformidad con las normas vigentes o aquellos que hayan sido tratados inadecuadamente (intervenciones en el interior de los mismos), operados por personas no formadas al respecto o de forma contraria a la indicada en las instrucciones. De la garantía se excluyen así mismo dispositivos dañados por agentes climáticos o por interferencias externas.

ESQUEMA DE CONEXION



	 ENGLISH	 DEUTSCH	 FRANÇAIS
1	TERMINAL	TERMINAL	TERMINAL
2	SWITCH O / I	SWITCH O / I	INTERRUPTEUR O / I
3	ILLUMINATED SWITCH O / I	BELEUCHTETE SWITCH O / I	INTERRUPTEUR ILLUMINÉ O / I
4	ROTARY SWITCH	SWITCH ROTARY	SWITCH ROTARY
5	PUSH BUTTON SWITCHES	DRUCKSCHALTER	BOUTON POUSSOIR
6	LIMIT SWITCH	ENDSCHALTER	LIMIT SWITCH
7	MICROSWITCH	MIKROSCHALTER	MICRO
8	RELAY	RELAY	RELAIS
9	RELAY CONTACTS	RELAISKONTAKTE	CONTACTS DE RELAIS
10	TIMER	TIMER	TIMER
11	OPERATING THERMOSTAT	THERMOSTAT WORK	TRAVAIL DU THERMOSTAT
12	SAFETY THERMOSTAT	SICHERHEIT THERMOSTAT	THERMOSTAT DE SÉCURITÉ
13	WHITE LIGHT	WEISSLICHT	L'ORANGE
14	GREEN LIGHT	GRÜNES LICHT	LE VERT
15	DIODE	DIODE	DIODE
16	INTERIOR LIGHT	INNENLEUCHTEN	ECLAIRAGE INTERIEUR
17	HEATING ELEMENT	HEIZELEMENT	ELEMENT DE CHAUFFAGE

IZJAVA O SAGLASNOSTI SA NORMAMA

Proizvodjač proglašava da uređaji ispunjavaju norme evropskog parlamenta i savjeta 2004/108/ES, 2006/95/ES. Instalacija mora biti provedena prema važećim normama.

Pozor, proizvođač ne snosi odgovornost u slučaju direktnog i/ili indirektnog oštećenja, a koje može biti uzrokovano neodgovornom ili neprofesionalnom instalacijom, neispravnom opravom i/ili korištenjem, nedovoljnim održavanjem i čišćenjem, te ostalim faktorima koji su uvedeni u uputstvu, odnosno uslovima prodaje. Ovaj uređaj je namijenjen samo k profesionalnom korišćenju i upotrebi, tako da mora biti servisiran samo kvalifikovanim osobljem. Dijelovi koji su bili instalirani od strane proizvođača ili njim povjerene osobe, ne smije korisnik mijenjati, niti opravljati.

TEHNIČKI PODACI

Naljepnica sa tehničkim podacima se nalazi sa zadnje ili bočne strane aparata. Prije nego što aparat počnete koristiti prostudirajte shemu elektr. instalacije i ostale odgovarajuće informacije.

MODEL	RAZMJER (cm)	NAPON (V/Hz)	SANGA (kW)
UH - 12 IL	27 x 33 x 54	230 V / 50 Hz	0,7
UH - 12	27 x 33 x 24	230 V / 50 Hz	0,35
UH - 11	27 x 33 x 54	230 V / 50 Hz	0,35
IL - 1	25 x 27 x 4	230 V / 50 Hz	0,35
BMV - 1115 + IL3	33 x 54 x 50	230 V / 50 Hz	1,2

KONTROLA PAKOVANJA I APARATA

Uredjaj napušta naše skladište uredno zapakovan, na pakovanju se nalaze simboli i opis tipa aparata. U pakovanju ćete naći uputstvo za upotrebu. Ukoliko bi se na pakovanju vidjelo da je s njim bilo loše manipulirano, da je pakovanje oštećeno, morate to odmah riješiti sa prijevoznikom, a to tako što ćete s njim napisati i obostrano potpisati protokol o šteti. Kasnije reklamacije nećemo uzimati u obzir.



Važno upozorenje

Ovo uputstvo mora biti pažljivo pročitano, budući da sadrži bitne informacije o sigurnosti, instalaciji i korištenju.

- Ove preporuke se odnose na ovaj proizvod ili liniju proizvoda.
- Ovo uputstvo se treba sačuvati i za buduće korištenje.
- Zabranite djeci da koriste uređaj.
- Prilikom preprodaje ili izmjene pozicije uređaja, neophodno je upoznati servis i osoblje sa priloženim uputstvom za upotrebu i instalaciju.
- Uredjaj smije koristiti samo poslušač koji je upoznat sa uputstvom.
- Nesmijete ostavljati uređaj bez nadzora.
- Preporučuje se kontrola autorizovanim servisom minimalno 2x godišnje.
- U slučaju oprave ili izmjene rezervnog dijela, koristite samo originalne dijelove.
- Uredjaj se ne smije čistiti vodom pod pritiskom (tuš ili crijevo sa vodom).
- U slučaju kvara, isključite aparat iz struje, prekinite dovod vode i/ili plina, a potom se obratite na autorizovani servis.
- Proizodjač ne snosi odgovornost u slučaju pogrešne instalacije, nedodržavanjem gore navedenih preporuka, odnosno neodgovornim korištenjem i sl..
- Uredjaj smije biti korišten samo k tomu čemu je namijenjen, drugi način korištenja može uzrokovati oštećenje aparata ili, čak, tjelesne povrede.
- Moramo najstrožije dodržavati pravila protivpožarne zaštite.

POZICIJA

Za ispravan rad i položaj aparata neophodno je dodržavati smjernice i norme propisane u uputstvu.

Raspakujte uređaj i prekontrolirajte da se nije slučajno oštetiо tijekom transporta. Smjestite uređaj na vodoravnu podlogu (maksimalna neravnina do 2°). Male neravnine možemo regulisati nožicama.

Ako je aparat smješten tako da će biti u neposrednoj blizini namještaja, taj mora biti otporan na toplotu od 60°C. Instalaciju, podešavanje i početak korištenja mora biti proveden kvalifikovanim osobom, koja je k tomu povjerena od strane autorizovanog servisa.

Uredjaj može biti instaliran samostalno ili u seriji sa ostalim našim proizvodima. Obavezno dodržavajte minimalnu udaljenost 10 cm od lako zapaljivih predmeta. U takvom slučaju, moraju biti provedene određene izmjene kako bi izolirale zapaljive materijale.

Uredjaj smije biti instaliran samo na nezapaljivoj površini i pored vatrostalnog zida.

INSTALACIJE

Važno:

Proizvodjač ne daje nikakvu garanciju na greške uzrokovane neispravnim korištenjem, nepridržavanjem danih instrukcija ili neodgovornim korištenjem proizvoda.

Instalaciju, izmjene i oprave, a jednako tako i demontažu, ukoliko je aparat oštećen, može provesti samo odgovorna osoba, a to povjerena autorizovanim servisom. I to na osnovu ugovora o prodaji i održavanju koji može biti sklopljen samo sa oficijalnim predstavnikom proizvođača, a mora sadržavati sve tehničke propise i norme koje se tiču instalacije, dovoda struje i plina, te bezbjednosti rada.

Tehničke instrukcije za instalaciju i podešavanje služe samo SPECIJALIZIRANIM serviserima.

Instrukcije, koje slijede tiču se tehničara kvalifikovanih za instalaciju uređaja, a da bi to učinili na što korektniji i odgovorniji način, a to prema zadanim normama.

Bilo koja djelatnost vezana za regulaciju i sl., mora biti provedena samo kada je aparat isključen i prekinut dovod plina i/ili vode. Dok aparat ne isključite i odpojite, budite maksimalno oprezni i pažljivi prilikom rukovanja.

Kakav trebate koristiti odvod dima, možete vidjeti na naljepnici sa deklaracijom tipa aparata, radi se o aparatima tipa A1.

BEZBJEDNOSNE MJERE PROTIVPOŽARNE ZAŠTITE

- Koristiti uređaj smiju samo odrasle osobe.
- Uređaj smije biti korišten samo u tome namijenjenom prostoru.
- Uređaj postavite tako da stoji na vatrostalnoj podlozi.

Na uređaj i u njegovoj blizini ne smiju biti postavljeni lako zapaljivi predmeti (najmanja dozvoljena udaljenost između aparata i zapaljivih materijala je 10 cm).

- Informacije o stupnju zapaljivosti uobičajenih građevinskih materijala možete vidjeti na tabeli. Uređaj mora biti instaliran na bezbjednom mjestu. Prilikom instalacije moraju biti respektovani priloženi projektni materijali, sigurnosni i higijenski propisi.

Stupanj zapaljivosti	Gradjevinski materijal
A - nezapaljive	granit, pijesak, beton, cigle, keramičke pločice, žbuka
B - teško zapaljive	akumin, heraklit, lihnos, itaver
C1 - veoma zapaljive	drvo, sirkoklit, tvrdi papir, sadrokarton
C2 - srednje zapaljive	iverica, solodur, pluto, guma, linoleum
C3 - lehce hořlavé	dřevovláknité desky, polystyrén, polyureten, PVC

Uredjaji moraju biti instalirani na bezbijedan način. Prilikom instalacije uredjaja moraju biti respektovani predloženi projektni materijali, bezbijednosni i higijenski propisi.

PRIKLJUČIVANJE EL. KABLA U STRUJU

Instalacija dovoda struje - taj dovod mora imati svoj poseban osigurač. A to odgovarajući prema snazi i naponu instalovanog aparata. Ove podatke ćete naći na naljepnici sa zadnje ili bočne strane aparata.

Uzemljenje može biti duže od ostalih spojnica. Uredjaj pripojite direktno na struju, a neophodno je da instalirate medju uredjajem i strujom prekidač, i to na udaljenosti 3mm medju samostalnim kontaktima, tako da bi odgovarao važećim normama i opterećenju. Uzemljenje (žuto-zeleno) ne smije biti tim prekidačem prekinuto. Aparat je predvidjen da se uključi u utičnicu, ukoliko ima odgovarajući osigurač.

U svakom slučaju, dovod mora biti postavljen tako da kabel niti na jednom mjestu ne može imati toplotu višu za 50 stupnjeva od sredine u kojoj se nalazi. Prije nego što kabel spojite, uvjerite se da:

- osigurač i razvodi mogu podnijeti opterećenje samog aparata (pogledaj naljepnicu)
- razvodi imaju odgovarajuće uzemljenje a to prema normama i uslovima odredjenim zakonom
- utičnica ili prekidač su lako pristupni.

Ne preuzimamo bilo kakvu odgovornost u slučaju da se nisu dane instrukcije respektovale ili ako se nije postupalo prema danim uputama.

Prije prve upotrebe pročitajte poglavlje „čišćenje i održavanje“. Uredjaj mora biti uzemljen pomoću već označenih šarafa.

UPUTSTVO ZA UPOTREBU

Prije nego što počnete uređaj koristiti, skinite zaštitnu foliju i operite ga vodom i deterdžentom za sudje, a potom obrišite vlažnom krpom.

Aparat je predviđen za održavanje optimalne toplote pomfrija. Da bi optimalno radio, neophodno je grijač UH - 12 dopuniti o lampu IL - 1, ova kombinacija će vam osigurati stvaranje mikroklimi i održavanje osobina jestivosti na duže vrijeme.

Pomfri bi se trebao servirati do 20 minuta, duže vrijeme nije preporučljivo.

Ovladanje UH - 12, BMV 1115 + IL3

Uključite prekidač (A) okrenite regulaciju (D) iz položaja „0“ na vama željenu toplotu u rasponu 30 °C - 90 °C. Lampice (B) i (C) će se razsvijetliti. Lampica (B) svijetli kada je aparat uključen. Lampica (C) svijetli kada su upaljeni grijači, a ugasi se kada postignu željenu toplotu. Aparat isključite kada regulaciju (D) okrenete do položaja „0“ i isključite glavni osigurač (A). Pomfri dajte na perforirani uložak, koji zabranjuje tome da se krompiriči natope uljem.

Ovladanje IL - 1 i UH - 11

Uključite lampu prekidačem (E). Ukoliko je aparat uključen svijetlit će lampica (F). U aparata UH-11 nasipajte pomfri do posude i uključite lampu IL - 1 prekidačem (E). Nizka snaga grijača i visoki odvod toplote, garancijom su toga da pomfri se neće pregrijati. Za optimalan rad grijača pomfrija, neophodno je koristiti infracrvenu lampu IL-1.



POZOR! Aparat ne smijete čistiti vodom koja je pod pritiskom; npr. tuš, crijevo. Čistite ga svakodnevno. Dnevno održavanje produžava život i upotrebnu vrijednost aparata. Prije početka čišćenja, provjerite da li ste aparat isključili iz struje. Uvijek provjerite glavni dovod. Dijelove od nehrdjajućeg čelika čistite vlažnom krpom i tekućim deterdžentom za sudje, potom operite čistom vodom i detaljno osušite. Nemojte koristiti abrazivna ili korozivna sredstva za čišćenje.

Čišćenje grijača - izvucite box sa grijačima. Grijače očistite samo vlažnom krpom.

Šta učiniti u slučaju kvara?

Isključite aparat iz struje i nazovite autorizovani servis.

UPOZORENJE

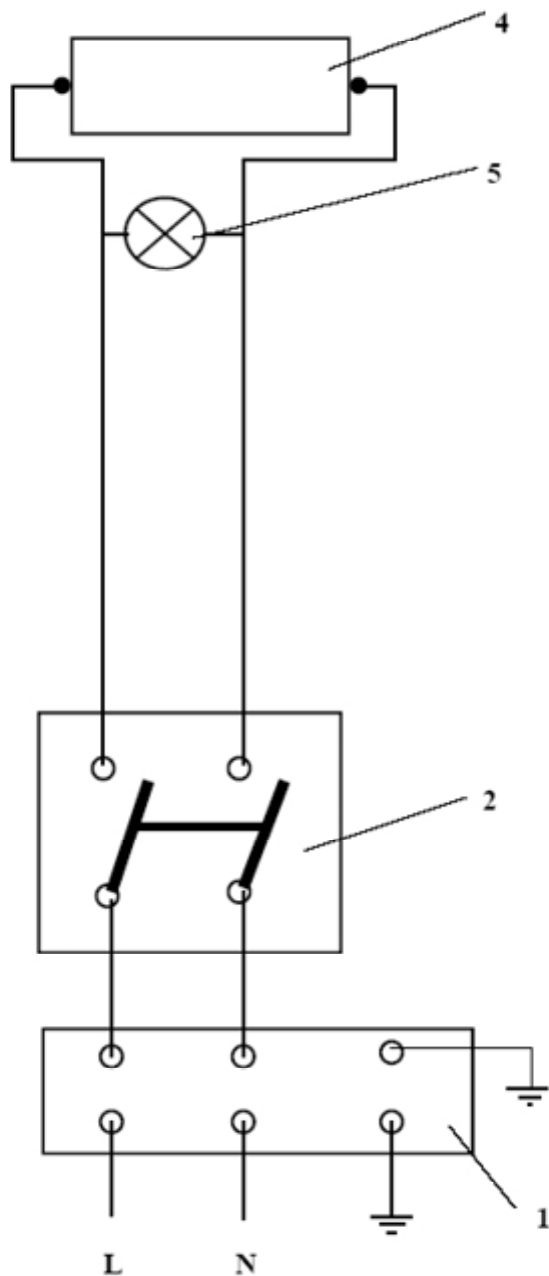
Garancija se ne odnosi na potrošne dijelove (kao što su: gumice, lampice, stakleni i plastični dijelovi...). Garancija se također ne odnosi na uređaj koji nije priključen i instaliran prema uputama, odgovornim serviserom, a prema danim normama. Isto tako, ukoliko su bile napravljene izmjene ili opravke koje nisu predviđene (oprave unutrašnje instalacije) ili ako je uređaj korišten nepoučenim ili neprofesionalnim osobljem, odnosno protivno instrukcijama navedenim u uputstvu za upotrebu. Također, garancija ne vrijedi ukoliko je aparat oštećen vanjskim ili klimatskim uticajima.

Neophodno je provoditi kontrolu uređaja svakih 6 mjeseci. Tu kontrolu treba da provede autorizovani serviser. U slučaju ne dodržavanja ove preporuke, proizvođač se ogradjuje od bilo kakve odgovornosti za štetu na imovini ili zdravlju.

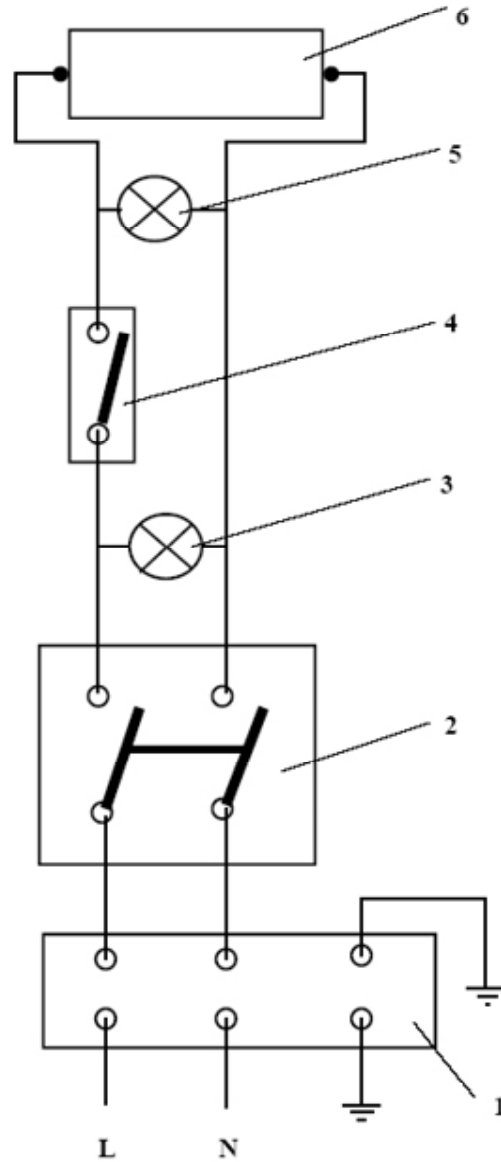
Ambalažu pakovanja i uređaj poslije kraja njegove upotrebne vrijednosti, predajte na otpad, a to prema danim propisima o likvidaciji.

SHEMA PRIKLJUČKA

IL-1; UHL-11



	ENGLISH	DEUTSCH	FRANÇAIS
1	TERMINAL	TERMINAL	TERMINAL
2	SWITCH O / I	SWITCH O / I	INTERRUPTEUR O / I
3	ILLUMINATED SWITCH O / I	BELEUCHTETE SWITCH O / I	INTERRUPTEUR ILLUMINÉ O / I
4	ROTARY SWITCH	SWITCH ROTARY	SWITCH ROTARY
5	PUSH BUTTON SWITCHES	DRUCKSCHALTER	BOUTON POUSSOIR
6	LIMIT SWITCH	ENDSCHALTER	LIMIT SWITCH
7	MICROSWITCH	MIKROSCHALTER	MICRO
8	RELAY	RELAY	RELAIS
9	RELAY CONTACTS	RELAISKONTAKTE	CONTACTS DE RELAIS
10	TIMER	TIMER	TIMER
11	OPERATING THERMOSTAT	THERMOSTAT WORK	TRAVAIL DU THERMOSTAT
12	SAFETY THERMOSTAT	SICHERHEIT THERMOSTAT	THERMOSTAT DE SÉCURITÉ
13	WHITE LIGHT	WEISSLICHT	L'ORANGE
14	GREEN LIGHT	GRÜNES LICHT	LE VERT
15	DIODE	DIODE	DIODE
16	INTERIOR LIGHT	INNENLEUCHTEN	ECLAIRAGE INTERIEUR
17	HEATING ELEMENT	HEIZELEMENT	ELEMENT DE CHAUFFAGE



	ENGLISH	DEUTSCH	FRANÇAIS
1	TERMINAL	TERMINAL	TERMINAL
2	SWITCH O / I	SWITCH O / I	INTERRUPTEUR O / I
3	ILLUMINATED SWITCH O / I	BELEUCHTETE SWITCH O / I	INTERRUPTEUR ILLUMINÉ O / I
4	ROTARY SWITCH	SWITCH ROTARY	SWITCH ROTARY
5	PUSH BUTTON SWITCHES	DRUCKSCHALTER	BOUTON POUSSOIR
6	LIMIT SWITCH	ENDSCHALTER	LIMIT SWITCH
7	MICROSWITCH	MIKROSCHALTER	MICRO
8	RELAY	RELAY	RELAIS
9	RELAY CONTACTS	RELAISKONTAKTE	CONTACTS DE RELAIS
10	TIMER	TIMER	TIMER
11	OPERATING THERMOSTAT	THERMOSTAT WORK	TRAVAIL DU THERMOSTAT
12	SAFETY THERMOSTAT	SICHERHEIT THERMOSTAT	THERMOSTAT DE SÉCURITÉ
13	WHITE LIGHT	WEISSLICHT	L'ORANGE
14	GREEN LIGHT	GRÜNES LICHT	LE VERT
15	DIODE	DIODE	DIODE
16	INTERIOR LIGHT	INNENLEUCHTEN	ECLAIRAGE INTERIEUR
17	HEATING ELEMENT	HEIZELEMENT	ELEMENT DE CHAUFFAGE

DECLARAȚIE DE CONFORMITATE CU NORMELE

Producătorul declară că aparatele sunt conforme cu normele 2004/108/ES, 2006/95/ES, cu legea nr. 616/2006 Sb., 17/2003 Sb. și cu prevederile relevante ale Guvernului. Instalarea trebuie efectuată în conformitate cu normele actuale. Atenție, producătorul nu-și asumă răspundere în cazuri de defecțiuni directe sau indirecte, datorate instalării sau modificărilor incorecte, întreținerii necorespunzătoare, utilizării defectuoase, sau care sunt rezultatul altor cauze decât cele menționate în punctul despre condițiile vânzării. Acest aparat este destinat exclusiv spre utilizare specializată și trebuie deservit de către personal calificat. Piese, care au fost sigilate de către producător sau un lucrător împuternicit în acest sens nu pot fi remontate

DATE TEHNICE

Menționăm faptul că echipamentul cu caracteristicile tehnice descrise în prezentul manual nu se încadrează în categoria echipamentelor pentru uz casnic, echipamentul fiind destinat în exclusivitate uzului comercial, de către personal calificat.

Plăcuța cu datele tehnice este amplasată pe partea din spate a aparatului. Înainte de a instala aparatul studiați cu atenție informația de pe aceasta.

MODEL	TENSIUNE (V)	WATTAGE (W)	DIMENSIUNI (MM)
UH - 12	230	350	27 x 33 x 22
IL - 1	230	500	27 x 30 x 50
UH - 12 + IL - 1	230	850	27 x 33 x 50
UHL-11	230	500	33x55x38

VERIFICAREA AMBALAJULUI ȘI APARATULUI

Aparatul iese din depozitele noastre ambalat în mod reglementar, cu indicarea simbolurilor și însemnelor corespunzătoare. Ghidul de deservire corespunzător se găsește în ambalaj. Dacă ambalajul prezintă semne de manevrare necorespunzătoare sau urme de deteriorare, este necesar de atenționat transportatorul și de a face un proces verbal de deteriorare.

Avertismente importante

- Acest ghid trebuie citit cu atenție pentru că conține informații importante despre securitate, instalare și utilizare
- Următoarele recomandări se aplică acestui produs
- Produsul este conform cu normele actuale
- Acest ghid trebuie păstrat pentru utilizarea ulterioară
- Împiedicați manipularea aparatului de către copii
- La vânzare sau relocare asigurați-vă că deservirea aparatului va fi efectuată în conformitate cu instrucțiunile din ghidul anexat
- Produsul poate fi deservit doar de către personalul instruit
- Poate fi utilizat doar pentru prepararea produselor alimentare
- Să nu fie lăsat fără supraveghere
- Se recomandă o inspectare specializată minim 1 dată pe an
- În cazul unei reparații piesele trebuie înlocuite doar cu piese de schimb originale
- A nu se curăța produsul cu jet direct de apă sau apă sub presiune
- În caz de defectare sau disfuncție a aparatului se cere de a deconecta orice alimentare (apă, electricitate, gaz) și de apelat la un servis autorizat
- Producătorul nu-și asumă răspundere în cazul defecțiunilor datorate instalării incorecte, nerespectării avertismentelor susmenționate, utilizării în alte scopuri, etc.

INSTALAREA

Instrucțiuni tehnice pentru instalare și reglare

Destinat DOAR utilizării de către tehnicieni specializați.

Instrucțiunile următoare sunt destinate tehnicianului calificat pentru reparație: Toate operațiunile trebuie să fie efectuate cât mai atent și în conformitate cu normele actuale!!!

Important:

Orice activitate de reglare a aparatului trebuie efectuată după deconectarea acestuia de la rețeaua electrică. Dacă e nevoie de lăsat aparatul sub tensiune, se cere să fiți mai atenți!

AMPLASAREA

Pentru asigurarea funcționalității aparatului, spațiul (bucătăria) unde va fi amplasat acesta trebuie să fie bine aerisit (referitor la aceasta: tehnicianul să urmeze normele actuale ale CȘN)

Dacă aparatul e instalat în așa fel încât are contact cu suprafața mobilierului, acestea trebuie să fie rezistente la temperaturi de 60°C. Instalarea, reglarea și darea în exploatare trebuie să fie efectuate de către o persoană calificată, care este autorizată în acest sens și în conformitate cu normele în vigoare.

Despachetați aparatul și verificați dacă nu a fost avariat în timpul transportării. Amplasați aparatul pe o suprafață orizontală (deviere maximă până la 2°). Amplasați aparatul sub hotă ca să fie eliminat mirosul și aburii.

Aparatul poate fi instalat separat sau în serie cu alte produse din gama noastră. Este necesar de a păstra o distanță minimă de 10cm de alte obiecte și de a evita contactul cu obiectele inflamabile. În astfel de cazuri se cere izolarea termică a pieselor inflamabile.

CONECTAREA CABLULUI ELECTRIC LA REȚEA

Instalarea alimentării cu electricitate: conexiunea trebuie asigurată de sine stătător cu o siguranță corespunzătoare și în funcție de tensiunea aparatului instalat. Tensiunea aparatului poate fi verificată pe plăcuța producătorului din partea de spate a aparatului. Conectați aparatul direct la rețea și plasați un întrerupător între aparat și rețea, respectând distanța minimă de 3mm între contacte, și care să corespundă cu normele în vigoare și cu sarcina de lucru. Firul de împământare (galben-verzui) nu trebuie afectat de acest întrerupător.

În orice caz cablul de alimentare trebuie amplasat în așa fel încât temperatura lui să nu depășească în nici un loc cu 50 de grade pe cea a mediului înconjurător. Înainte de a conecta aparatul la rețea asigurați-vă că:

- Siguranța alimentării și distribuția internă vor rezista la sarcina aparatului (vezi plăcuța)
- Conductoarele sunt împământate corespunzător, conform normelor (CȘN) și prevederilor legale
- Priza sau întrerupătorul alimentării sunt ușor accesibile

Nu ne asumăm nici un fel de răspundere în cazul nerespectării acestor norme și în cazul încălcării principiilor enunțate mai sus.

Înainte de prima utilizare îndepărtați folia protectoare de pe aparat și curățați-l așa cum scrie în capitolul „curățare și întreținere”.

MĂSURI DE SECURITATE DIN PUNCT DE VEDERE AL PROTECȚIEI ÎMPOTRIVA INCENDIILOR CONFORM CSN EN 061008 ȚL. 21:

- Deservirea aparatului trebuie să fie asigurată de către persoane mature
 - Aparatul poate fi utilizat fără pericol în condiții obișnuite conform EN 332000-1
 - Aparatul trebuie amplasat în așa fel încât să fie fixat pe un suport neinflamabil
- Se interzice amplasarea obiectelor inflamabile pe aparat, precum și în apropierea acestuia la distanțe mai mici decât cele recomandate (distanța minimă recomandată este de 10cm)
- Distanțele sigure față de obiectele inflamabile și informațiile despre gradul de combustibilitate a materialelor de construcție sunt indicate în tabel

Tabel:

Gradul de combustibilitate a materialelor de construcție (EN 730823) după substanțe și produse

A neinflamabil	granit, var, beton, cărămidă, gresie ceramică, tencuiala
B greu inflamabile	placă fibrolemnoasă, fibre minerale
C1 dificil inflamabil	lemn, foioase, hârtie întărită, placaj
C2 mediu inflamabil	plăci aglomerate din aşchii de lemn, plăci din plută, cauciuc, pardoseala din PVC
C3 ușor inflamabil	plăci fibrolemnoase, polistiren, poliuretan, PVC

Aparatul trebuie instalat într-un mod sigur. În timpul instalării trebuie respectate prevederile de siguranță, proiectare și igienă în conformitate cu:

- EN 06 1008 securitatea de incendiu a dispozitivelor locale și surselor de căldură
- EN 33 2000 mediul înconjurător pentru aparate electrice (33 2000-4-42; 33 2000-4-482)

GHID DE UTILIZARE

Ghid de utilizare:

Attention!

Before the first use of the device you must remove protection foil from all surfaces and wash the device with water containing detergent and then splash with clean water. The device is suitable for keeping the pommes frites in optimal temperature for serving. For better effect we recommend to add the infra lamp IL-1 to the keeper UH-12. This combination secures you creation of the mikroclimat, which keeps the tasty quality of the pommes frites for serving.

Atenție!

Înainte de a începe să utilizați aparatul spălați-l bine cu o cârpă umedă cu soluție de săpun. Apoi uscați-l. Să nu lăsați niciodată aparatul pornit fără supraveghere!!! Conectați întrerupătorul principal (A), beculețul de control (B) se va aprinde. Beculețul de control (B) arde când aparatul este alimentat cu electricitate. Opriiți aparatul prin comutarea întrerupătorului principal (A) în poziția „O”. Supravegheați aparatul folosit.
Control of the IL-1: Switch the lamp on by the switch (E). Operating indicates pilot lamp (A). Lower performance and higher draining the heat off prevents overheating.



CURĂȚARE ȘI ÎNTREȚINERE

Este recomandat de a inspecta aparatul, cel puțin o dată pe an, de către un servis specializat. Orice intervenții asupra aparatului pot fi operate doar de către o persoană calificată, autorizată în acest sens.

ATENȚIE!!!

Este interzisă curățarea aparatului sub jetul de apă sau apă sub presiune. Curățați aparatul zilnic. Întreținerea zilnică prelungește eficiența și funcționalitatea aparatului. Înainte de a curăța aparatul, asigurați-vă că acesta este deconectat de la rețeaua electrică. Întotdeauna să opriți alimentarea principală a aparatului. Părțile de inox curățați-le cu o cârpă umedă cu soluție de săpun și fără particule tari, iar uscați-le prin ștergere. Nu folosiți soluții de curățat abrazive sau corozive. Înlăturați toate resturile de mâncare de pe suprafața de lucru, posibil și cu ajutorul unui șpaclu.

Curățarea corpurilor de încălzire, scoateți secția cu corpurile de încălzire. Corpurile de încălzit se curăță doar cu o cârpă umedă.

După spălare, uscați-o prin ștergere și turnați uleiul filtrat sau nou.

Utilizatorul trebuie să folosească un vas potrivit pentru scurgerea uleiului din baia de ulei. Acest vas trebuie să fie dintr-un material termorezistent și amplasat în așa fel, încât uleiul să nu stropască, creând situații periculoase. Instalați țeava de scurgere, îndepărtați siguranța deschiderii nedorite mișcând-o în sus, iar mânerul mutați-l până în poziția marcată printr-un robinet deschis. Goliți baia atunci când uleiul este rece.

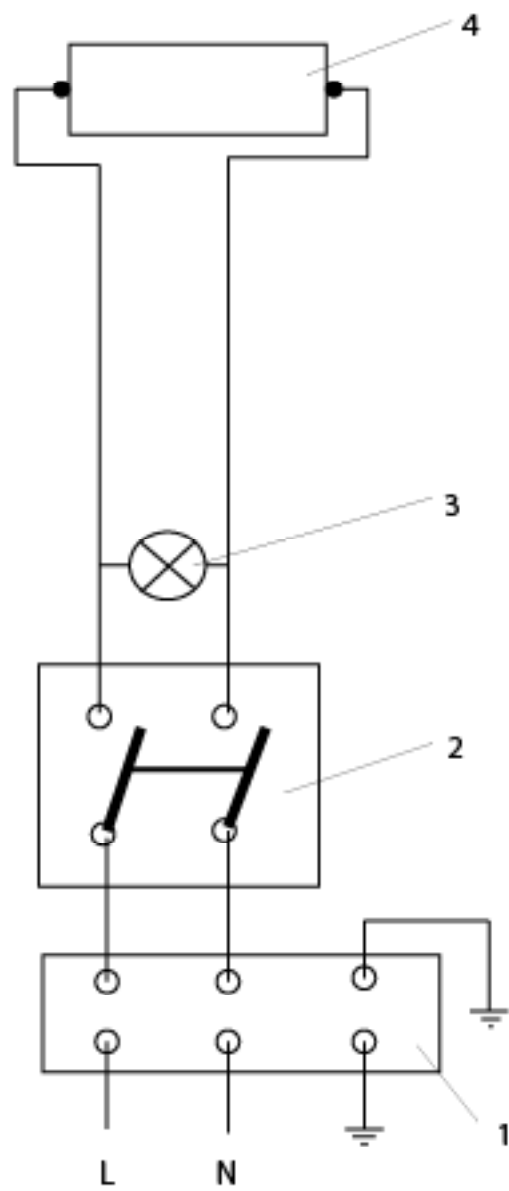
Procedeu în caz de disfuncție a aparatului

Opriți alimentarea cu electricitate și apă și apălați servisul vânzătorului.

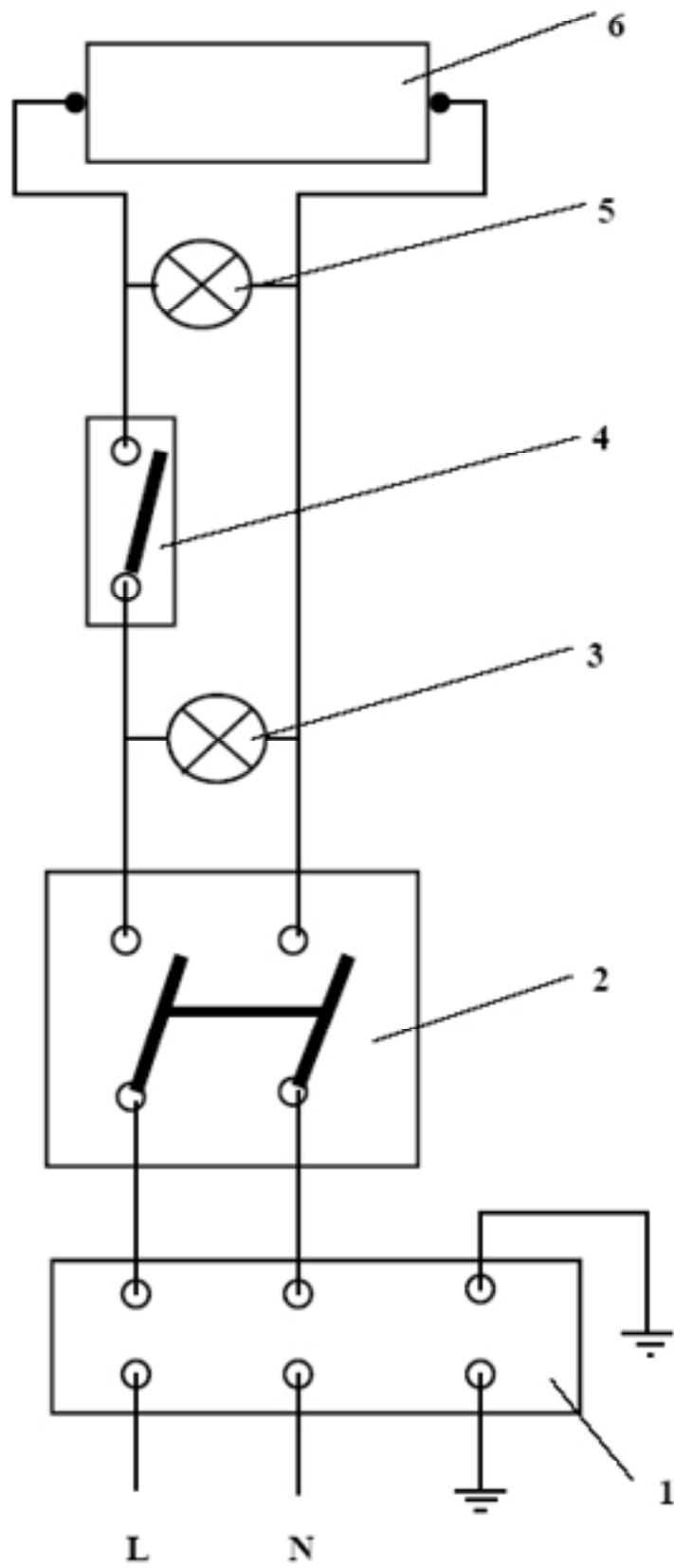
ATENȚIONARE

Garanția nu acoperă piesele consumabile care se uzează prin utilizare (garniturile din cauciuc, becurile, părțile din plastic și sticle, etc.). De asemeni garanția nu se aplică aparatelor a căror instalare a fost efectuată contrar normelor (de către o persoană autorizată conform normelor în vigoare) și nici în cazul manipulării defectuoase (intervenții în interiorul aparatului etc.) sau dacă a fost deservit de către personal neinstruit și contrar ghidului de utilizare. Garanția nu se aplica defectelor datorate efectelor naturii sau forței majore.

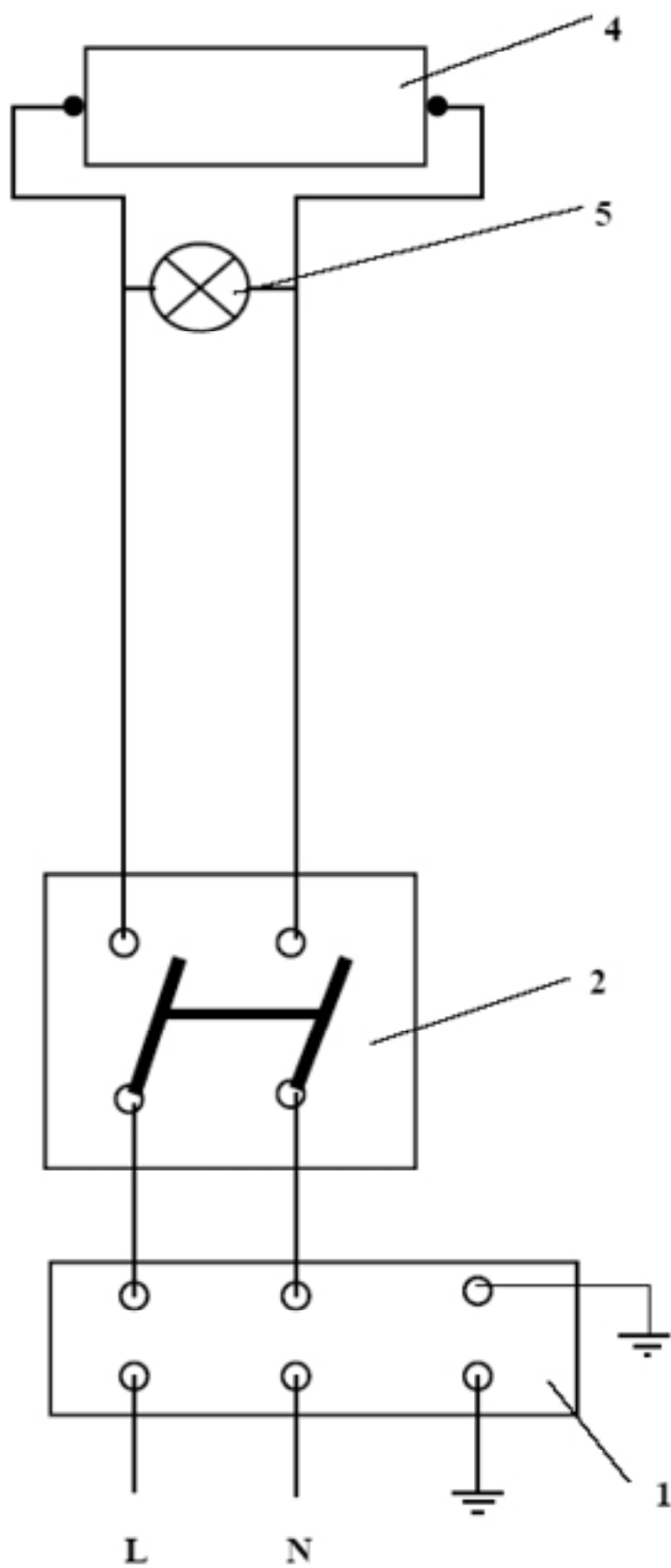
SCHEMA CONECTĂRII - IL



SCHEMA CONECTĂRII UH-12



SCHEMA CONECTĂRII UHL-11



List of service organizations:

CZ: RM GASTRO CZ s. r. o., Náchodská 818/16, Praha 9

Tel. +420 281 926 604, info@rmgastro.cz, www.rmgastro.cz

SK: RM Gastro Slovakia, Rybárska 1, Nové Město nad Váhom

Tel.: +421 32 7717061, obchod@rmgastro.sk, www.rmgastro.sk

PL: RM GASTRO Polska Sp. z o. o., ul. Skoczowska 94, 43-450 Ustroń

Tel.: +33 854 73 26, www.rmgastro.pl